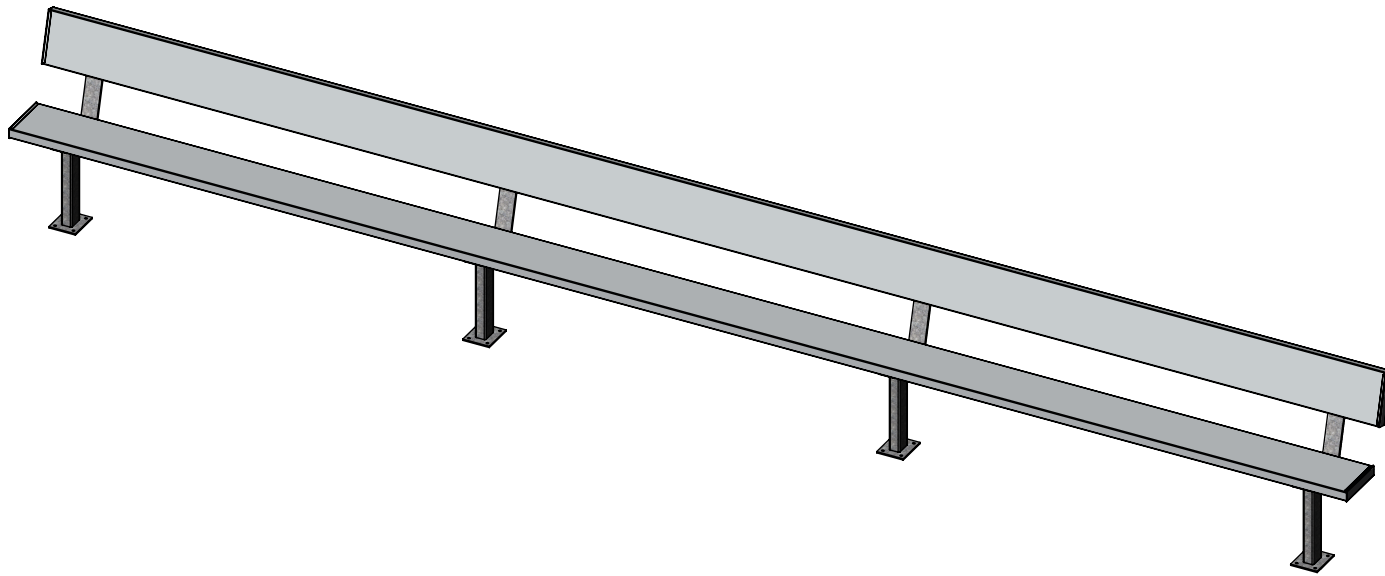


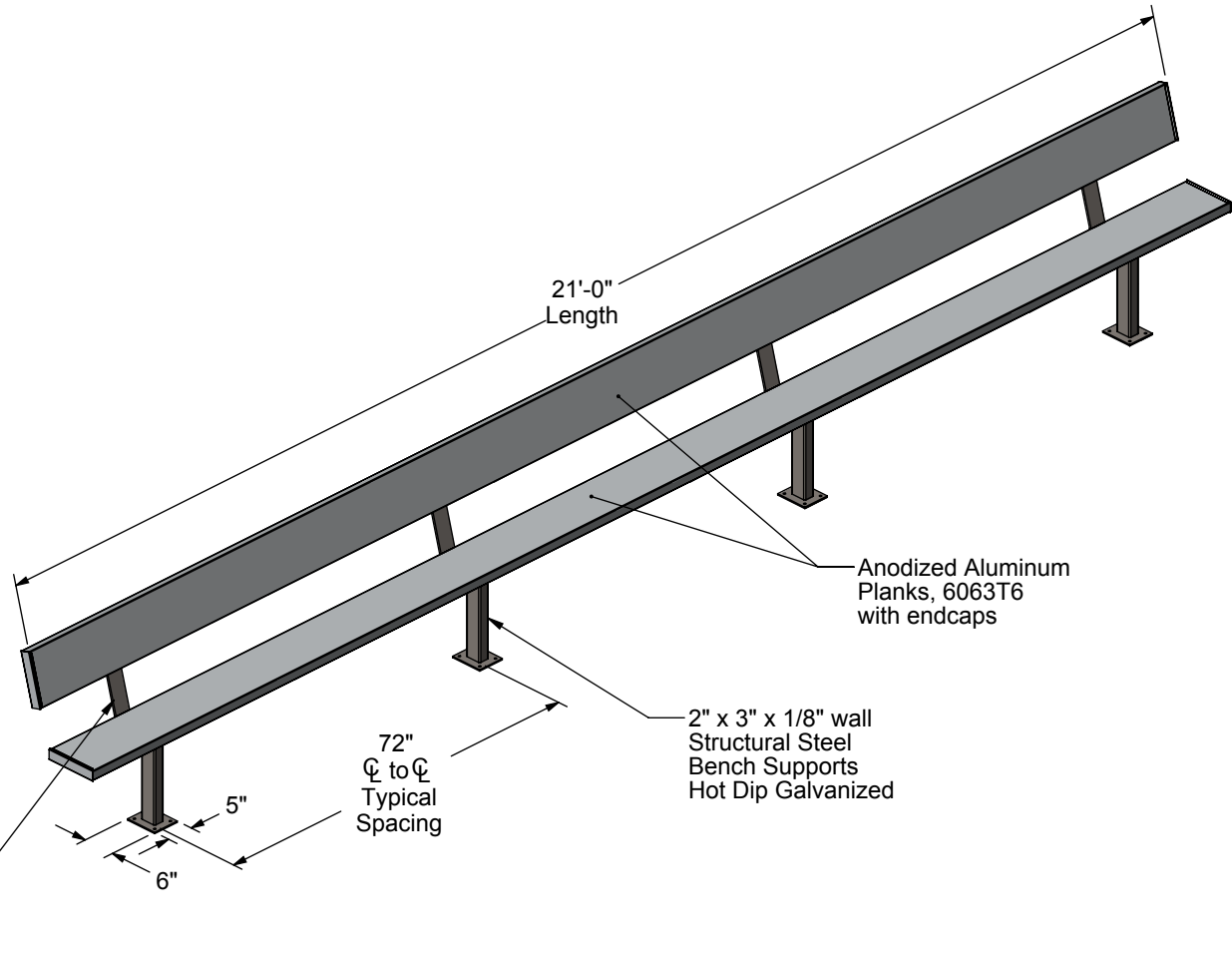
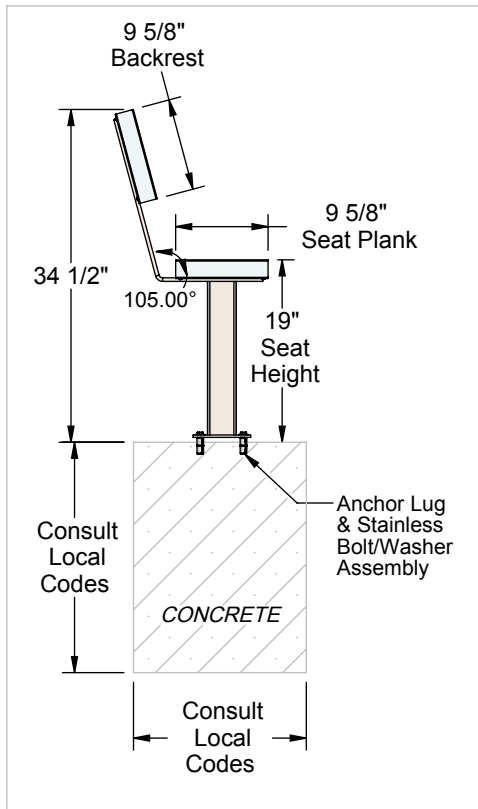
AAE Model No. TB-21B-SP
21' Semi-Permanent Team Bench with Backrest



Aluminum Athletic Equipment
1000 Enterprise Drive, Royersford, PA 19468
Toll Free: (800) 523-5471 Fax: (610) 825-2378
www.AAEsports.com

TB-21B-SP - 21' Semi-Permanent Team Bench (with Backrest)

Specifications




Material Specifications

Materials: Anodized Aluminum, 6063T6
 Galvanized Steel Tube, 2" x 3" x 1/8" wall
 Galvanized Steel, 3/8" x 3" HRS
 Aluminum & Stainless Steel Hardware
 Concrete

Overall Weight: 155 lbs.
 Overall Size: 3' high x 2' deep x 21' long

AAE Warranty Standard

 Aluminum Athletic Equipment 1000 Enterprise Drive, Royersford, PA 19468 Toll Free: (800) 523-5471 Fax: (610) 825-2378 www.AAEsports.com		
DESCRIPTION:		
TB-21B-SP - Specifications		
NOTE:		
21' Semi-Permanent Team Bench with Backrest		
MODEL:	CATEGORY:	DATE:
TB-21B-SP	CUSTOMER	10/06/11
DWN. BY:	CAD FILE:	DWG. NO.:
ARP	TB-21B-SP - Specifications	TB-21B-SP-C-001