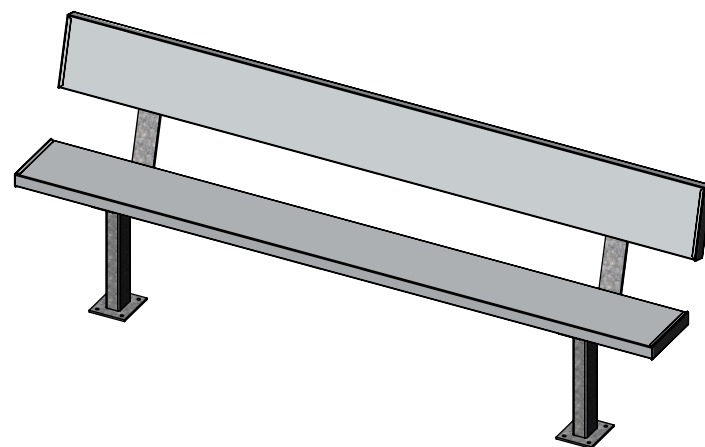


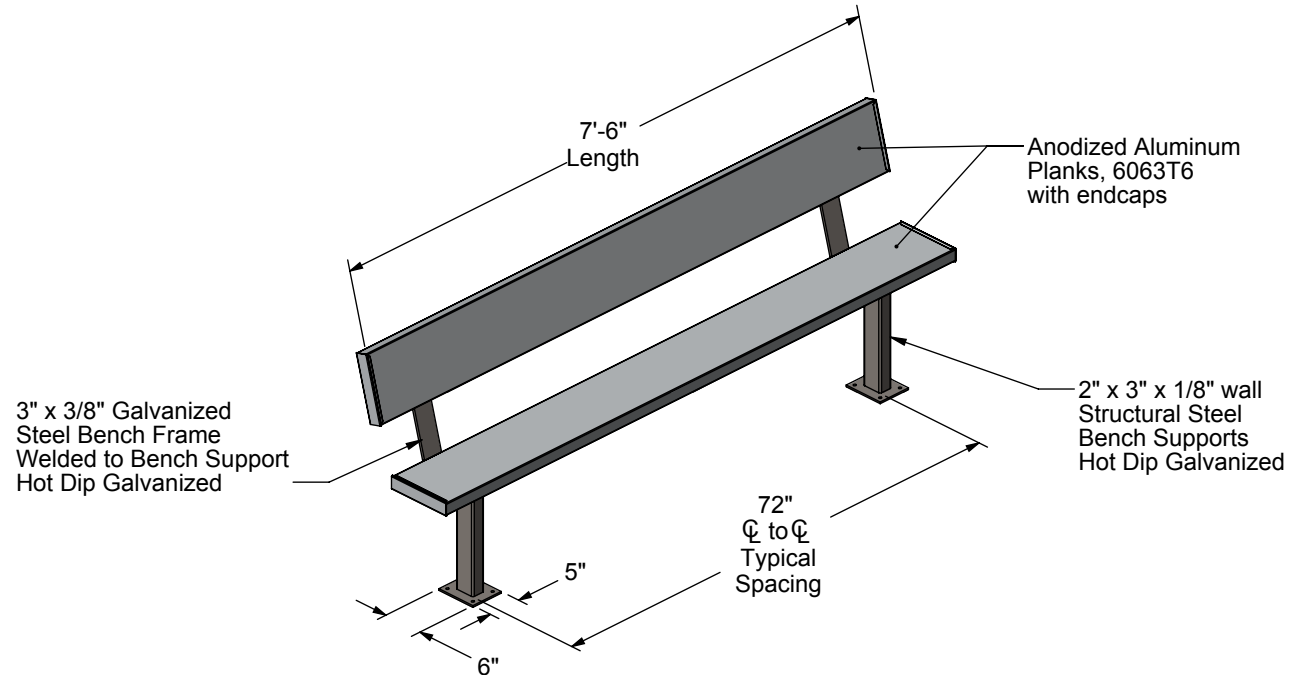
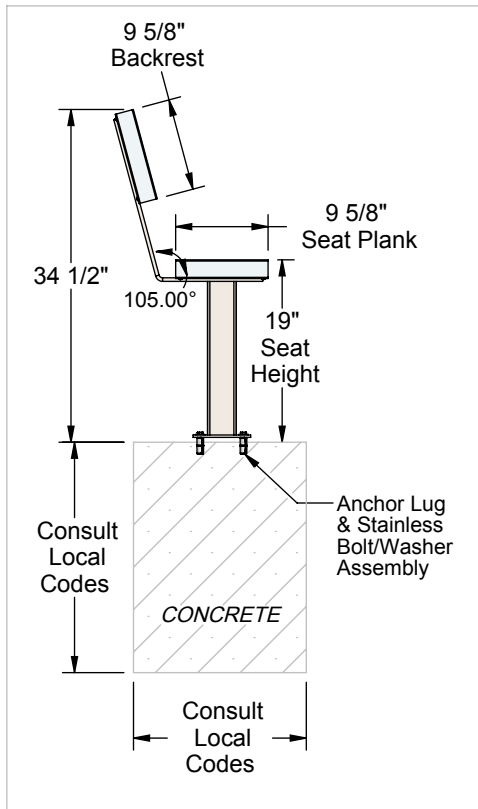
**AAE Model No. TB-7.5B-SP**  
**7' 6" Semi-Permanent Team Bench with Backrest**



**Aluminum Athletic Equipment**  
1000 Enterprise Drive, Royersford, PA 19468  
Toll Free: (800) 523-5471 Fax: (610) 825-2378  
[www.AAEsports.com](http://www.AAEsports.com)

# TB-7.5B-SP - 7' 6" Semi-Permanent Team Bench (with Backrest)

## Specifications



### Material Specifications

Materials: Anodized Aluminum, 6063T6  
 Galvanized Steel Tube, 2" x 3" x 1/8" wall  
 Galvanized Steel, 3/8" x 3" HRS  
 Aluminum & Stainless Steel Hardware  
 Concrete

Overall Weight: 65 lbs.  
 Overall Size: 3' high x 2' deep x 7'6" long

\*AAE Warranty Standard\*



**Aluminum Athletic Equipment**  
 1000 Enterprise Drive, Royersford, PA 19468  
 Toll Free: (800) 523-5471 Fax: (610) 825-2378  
[www.AAEsports.com](http://www.AAEsports.com)

DESCRIPTION:		
<b>TB-7.5B-SP - Specifications</b>		
NOTE:		
7' 6" Semi-Permanent Team Bench with Backrest		
MODEL:	CATEGORY:	DATE:
TB-7.5B-SP	<b>CUSTOMER</b>	10/19/2018
DWN. BY:	CAD FILE:	DWG. NO.:
CED	TB-7.5B-SP - Specifications	TB-7.5B-SP-C-001