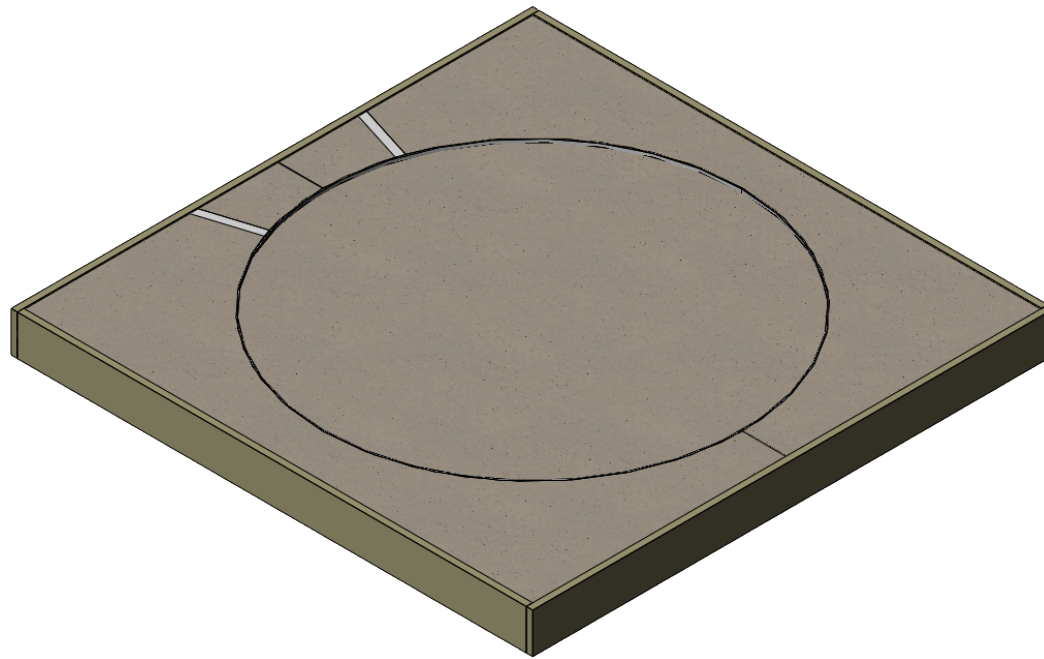


AAE Model No. SC-1, HC-1, & DC-1
Shot, Hammer & Discus Circles

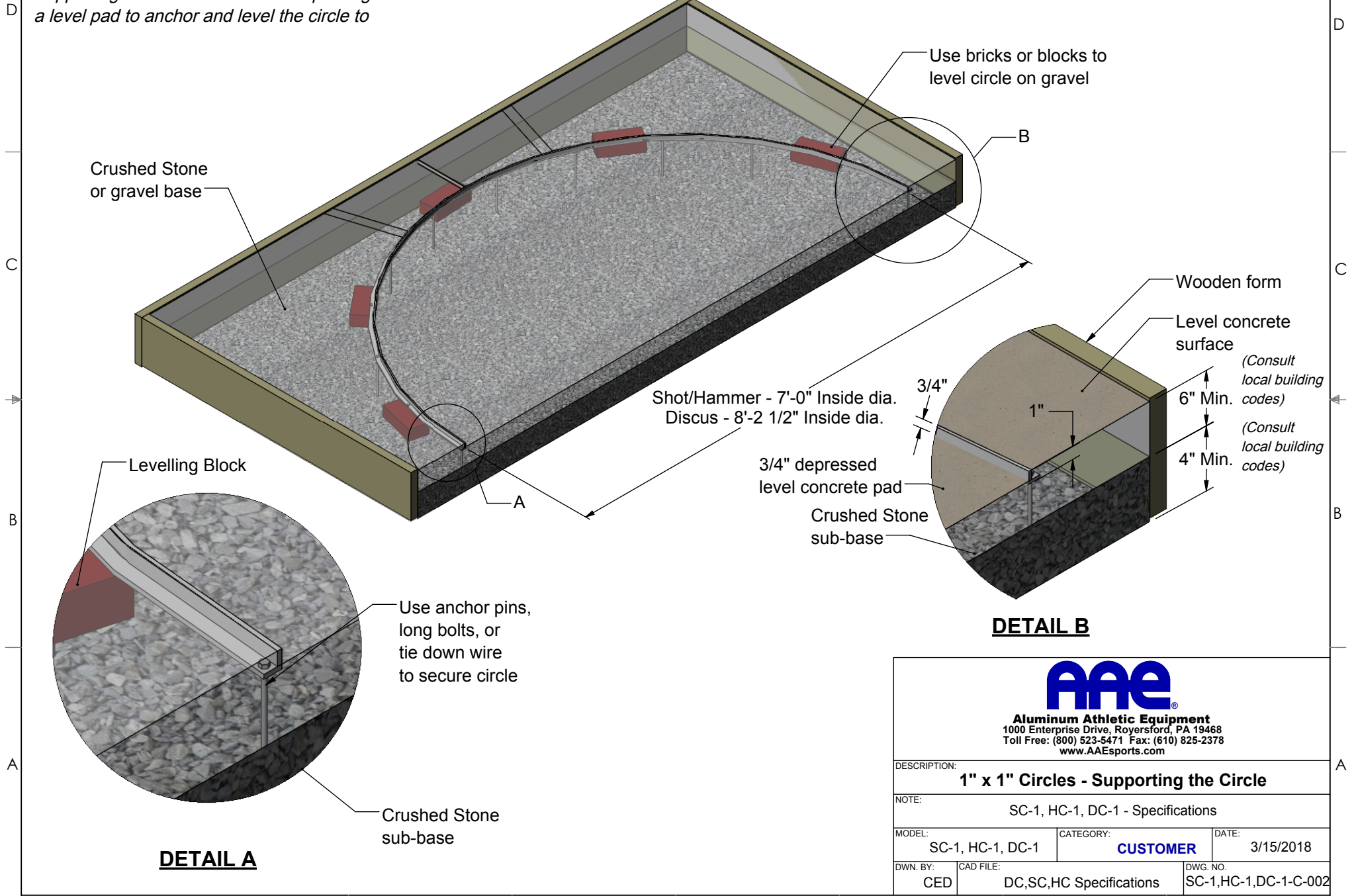


Aluminum Athletic Equipment
1000 Enterprise Drive, Royersford, PA 19468
Toll Free: (800) 523-5471 Fax: (610) 825-2378
www.AAEsports.com

Shot, Hammer & Discus Circles (1" x 1")

"Supporting the Circle"

Supporting the Circle - Without first pouring a level pad to anchor and level the circle to



Crushed Stone or gravel base

Use bricks or blocks to level circle on gravel

Levelling Block

Shot/Hammer - 7'-0" Inside dia.
Discus - 8'-2 1/2" Inside dia.

Wooden form

Level concrete surface

(Consult local building codes)

(Consult local building codes)

3/4" depressed level concrete pad

Crushed Stone sub-base

Use anchor pins, long bolts, or tie down wire to secure circle

Crushed Stone sub-base

DETAIL B

DETAIL A



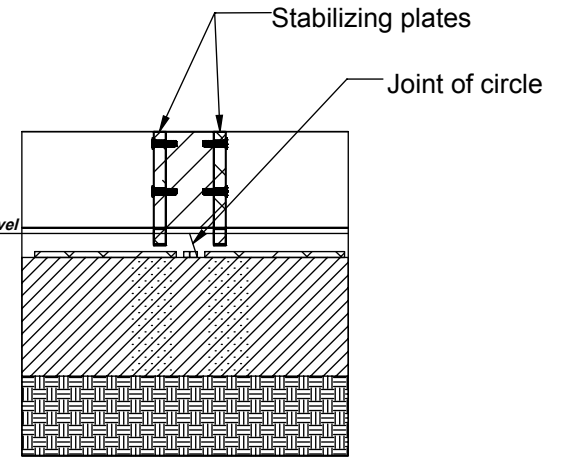
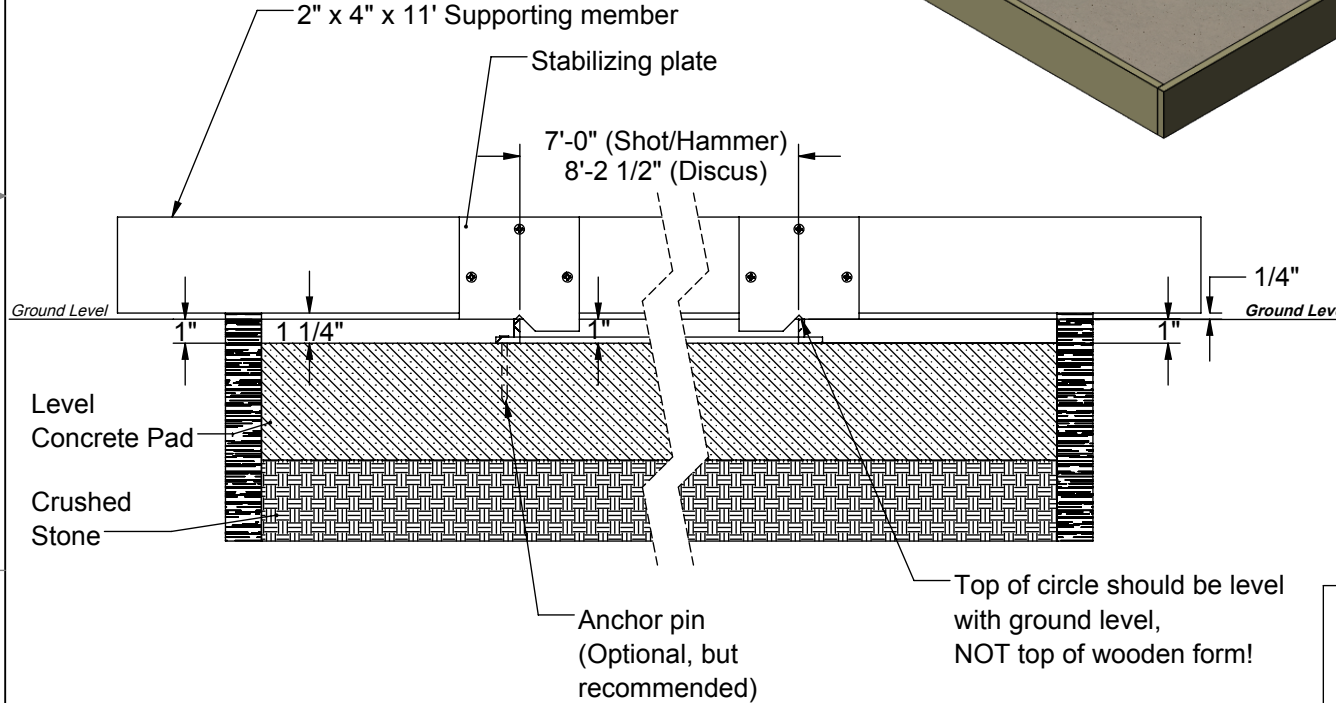
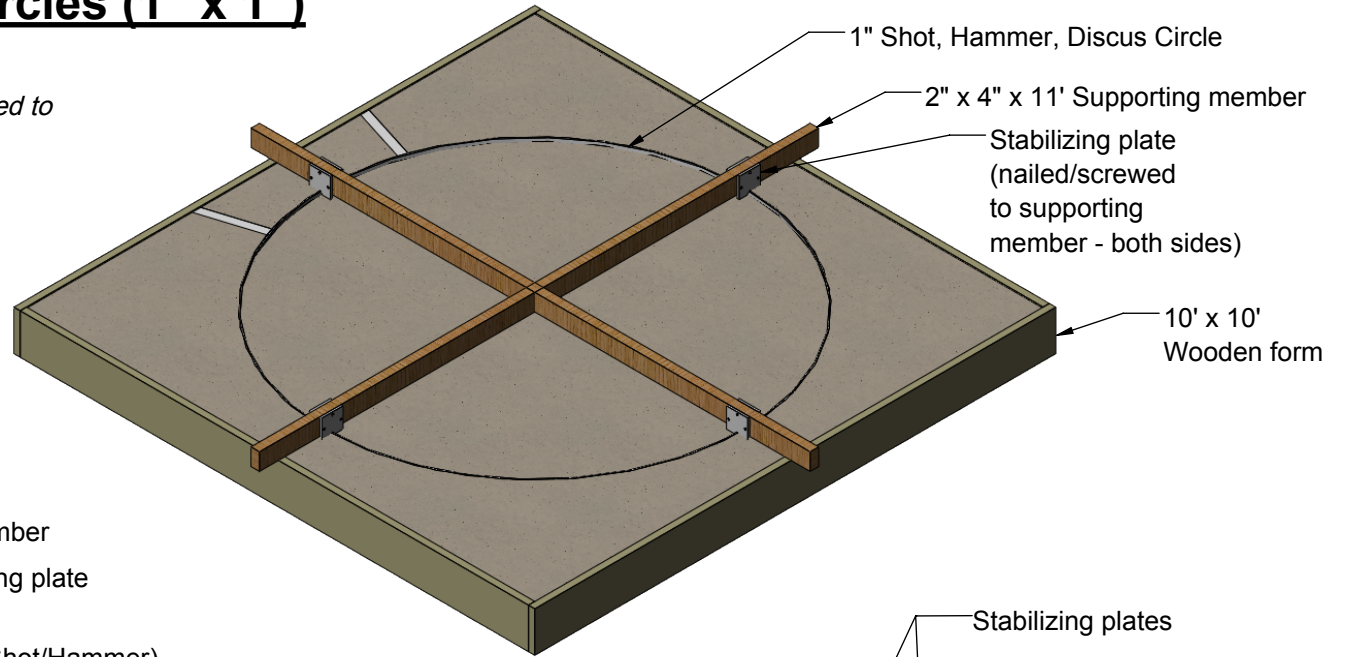
Aluminum Athletic Equipment
1000 Enterprise Drive, Royersford, PA 19468
Toll Free: (800) 523-5471 Fax: (610) 825-2378
www.AAEsports.com

DESCRIPTION:		
1" x 1" Circles - Supporting the Circle		
NOTE: SC-1, HC-1, DC-1 - Specifications		
MODEL:	CATEGORY:	DATE:
SC-1, HC-1, DC-1	CUSTOMER	3/15/2018
DWN. BY:	CAD FILE:	DWG. NO.:
CED	DC,SC,HC Specifications	SC-1,HC-1,DC-1-C-002

Shot, Hammer & Discus Circles (1" x 1")

"Bracing the Circle"

It is important that this or some other method be used to hold the circle in true shape (diameter) while the concrete is being poured



Top of circle should be level with ground level, NOT top of wooden form!



Aluminum Athletic Equipment
 1000 Enterprise Drive, Royersford, PA 19468
 Toll Free: (800) 523-5471 Fax: (610) 825-2378
www.AAEsports.com

DESCRIPTION:		
1" Shot, Hammer, & Discus Circles		
NOTE: Circle Bracing Specifications		
MODEL:	CATEGORY:	DATE:
SC-1, HC-1, DC-1	CUSTOMER	03/15/2018
DWN. BY:	CAD FILE:	DWG. NO.:
CED	DC,SC,HC Specifications	SC-1,HC-1,DC-1-C-002

Shot, Hammer & Discus Circles (1" x 1")

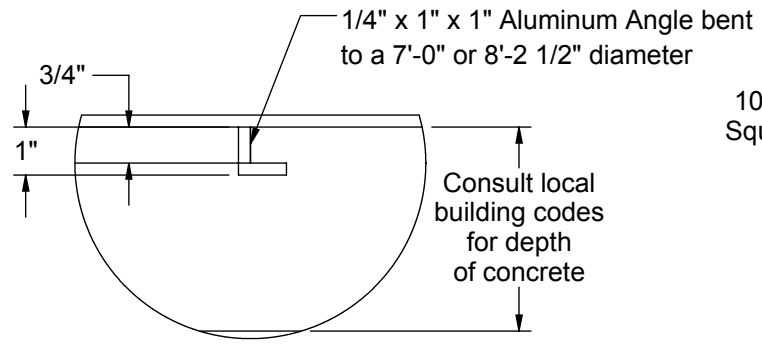
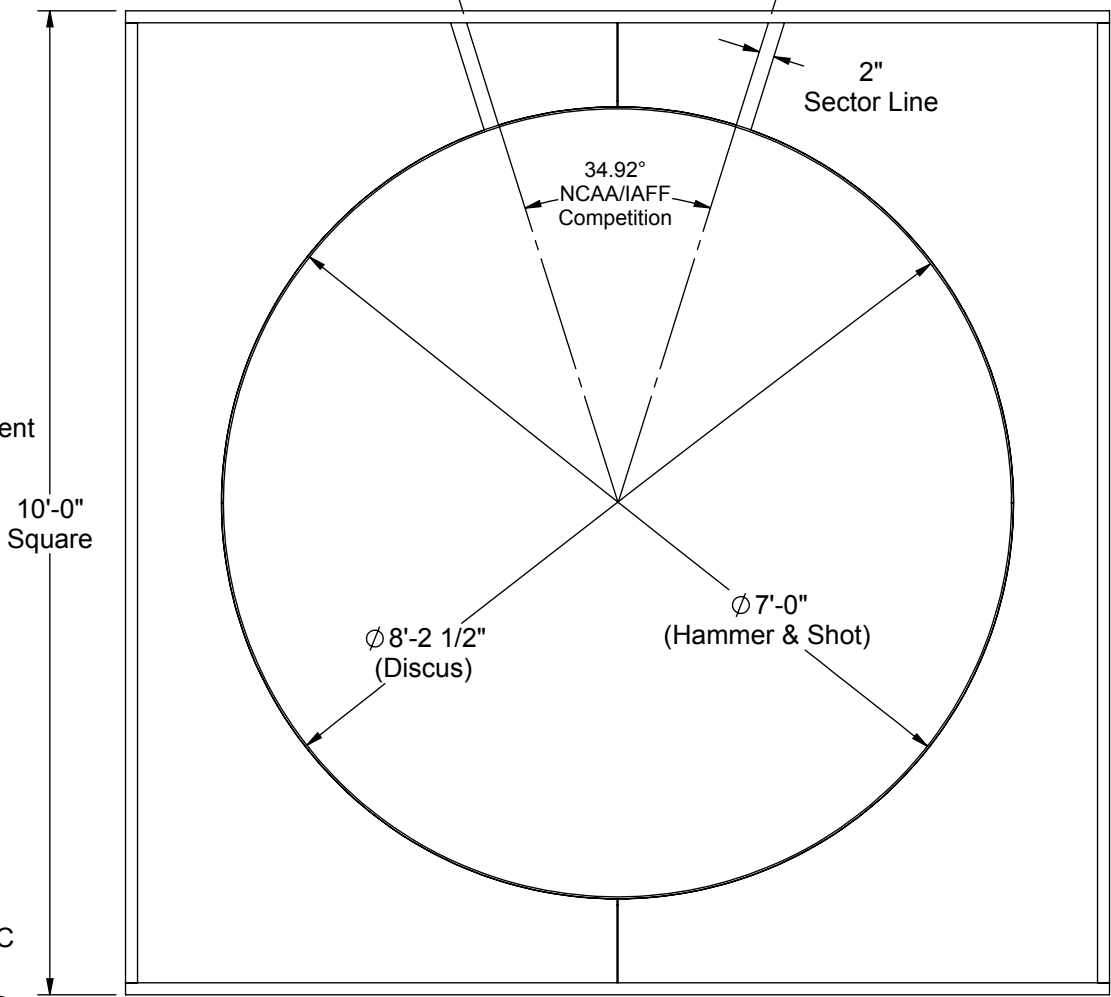
Specifications

D

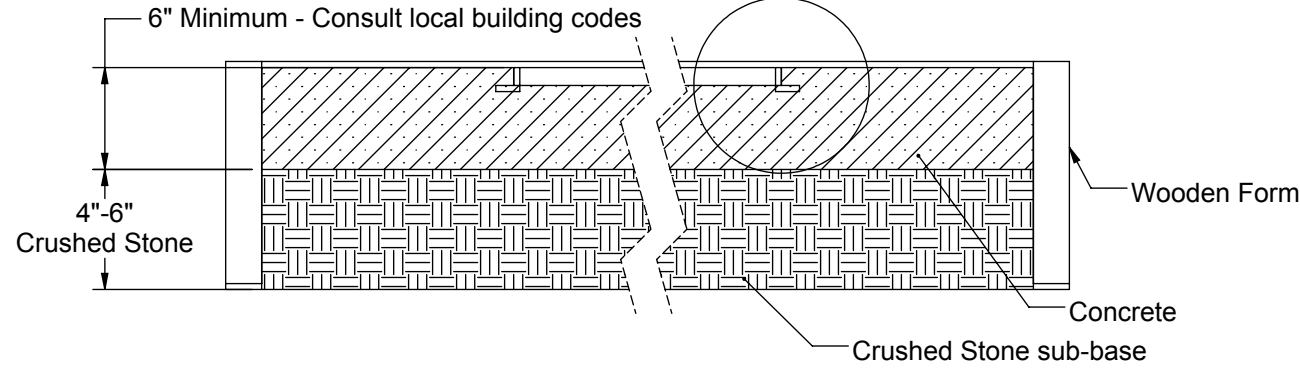
C

B

A



DETAIL C
SCALE 1 : 4



Aluminum Athletic Equipment
1000 Enterprise Drive, Royersford, PA 19468
Toll Free: (800) 523-5471 Fax: (610) 825-2378
www.AAEsports.com

DESCRIPTION: Shot, Hammer, & Discus Circles (1" x 1")		
NOTE: Specifications		
MODEL: SC-1, HC-1, DC-1	CATEGORY: CUSTOMER	DATE: 03/15/2018
DWN. BY: CED	CAD FILE: DC,SC,HC Specifications	DWG. NO. SC-1,HC-1,DC-1-C-003

6

5

4

3

2

1

SC-1/HC-1/DC-1
SHOT/HAMMER/DISCUS CIRCLES (1" x 1")
INSTALLATION INSTRUCTIONS

GENERAL SPECIFICATIONS:

The 1" Shot, Hammer & Discus circles are 1" x 1" x 1/4" aluminum angle rolled to a specified diameter (7'0" for Shot and Hammer and 8' 2-1/2" for Discus) and are intended for a permanent concrete pad installation with a depressed throwing area. Each circle is delivered in either halves or quarters, depending on the shipping method used (halves by motor freight, quarters by U.P.S.). The installation procedures to follow are the same for both.

Two different installation methods will be explained:

- 1) That of leveling the circle with bricks or shimming blocks
- 2) Leveling the circle on a level concrete pad.

Regardless of which installation is used, the outline for a successful installation is as follows:

- * The circle must be securely anchored before concrete is poured.
- * The circle must be held to true size (diameter) during the concrete phase to prevent the circle from creeping out of shape.
- * The concrete pad and the depressed pad should both be level.
- * The top of the circle must be flush and level with the finished concrete pad. (Ground level in most applications)
- * A suitable drainage system should be installed. Consult local building codes for drainage requirements and information.

SC-1/HC-1/DC-1
SHOT/HAMMER/DISCUS CIRCLES (1" x 1")
INSTALLATION INSTRUCTIONS

INSTALLATION:

(Pouring a level concrete pad first, to provide a leveling and anchoring surface for the circle.)

1. Dig an area approximately 10'-0" x 10'-0" x 12" deep. **(Consult local building codes for concrete depth and drainage requirements.)**
2. Position and level a wooden concrete form 10'0" square (inside dimensions) - on a base of crushed stone **(Consult local codes for drainage requirements)** so that the top of the wooden form is **1/4" above** ground level. (By keeping the form 1/4" above ground level, the concrete pad will have clean, unrounded edges when the form is removed.) Check all levels.
3. Pour concrete into the wooden form to a level 1-1/4" below the top of the wooden form (1" below actual ground level). Allow the concrete to harden.
4. Position and level the SC/HC/DC-1 circle, centered on the concrete pad. Shim the circle as necessary so that it is level and the top of the circle is even with ground level (1/4" down from top of wooden form). Make sure the diameter is correct (7'0" for Shot and Hammer and 8' 2-1/2" for discus) and measurements from all points of the circle are equal. Once the circle is leveled and trued, anchor the circle to the concrete pad using bolts or anchor pins, or brace the circle with a wooden form as shown in the "Bracing the Circle" drawing (See Dwg. No. AAE-72). **It is important** that the circle be securely anchored and braced in some form or fashion so that when the concrete is poured, the circle will retain its' correct size and shape.
5. Pour a layer of concrete on the inside of the circle to a level that is 3/4" **below** the top of the circle.
6. Pour concrete on the outside of the circle to a level that is flush with the top of the circle (1/4" below top of wooden form).
7. Allow concrete to harden.

SC-1/HC-1/DC-1
SHOT/HAMMER/DISCUS CIRCLES (1" x 1")
INSTALLATION INSTRUCTIONS

ALTERNATIVE CIRCLE INSTALLATION:

1. Dig an area approximately 10'0" x 10'0" x 12" deep. **(Consult local building codes for concrete depth and drainage requirements.)**
2. Position and level a wooden concrete form 10'0" square (inside dimensions) on a base of crushed stone **(Consult local codes for drainage requirements)** so that the top of the wooden form is **1/4" above** ground level. (By keeping the form 1/4" above ground level, the concrete pad will have clean, unrounded edges when the form is removed.) Check all levels.
3. Position and level the SC/HC/DC -1 circle, centered in the pit. Use bricks (or some sturdy support) to elevate the circle to a level where the top of the circle is even with ground level (1/4" down from the top of the wooden form.). Level circle as necessary on support blocks. Make sure the diameter is correct (7'0" for Shot and Hammer and 8' 2-1/2" for discus) and measurements from all points of the circle are equal. Once circle is leveled and trued, anchor the circle securely to the ground with anchor pins, long bolts, or tie down wire (not included), on minimum 12" intervals. Check all levels. (See Dwg. No. AAE-13C - "Supporting the Circle, without first pouring a level pad" drawing for ref.)
4. **Note:** If the circle cannot be securely anchored into the ground, or if extra stabilization is required, we strongly recommend that the circle be braced with a wooden form as shown in the "Bracing the Circle" drawing, (See Dwg. No. AAE-72) or by some other reliable method. **It is important** that the circle be securely anchored and braced in some form or fashion so that when the concrete is poured, the circle will retain its' correct size and shape.
5. With the circle leveled and anchored, pour the cement in and around the circle to a level that is **3/4" below** the top of the circle. Continue pouring on the outside of the circle until the concrete is flush with the top of the circle (1/4" below the top of the wooden form).
6. Allow concrete to harden.

FOR TECHNICAL ASSISTANCE, CALL 1-800-523-5471

SC-1/HC-1/DC-1 SHOT/HAMMER/DISCUS CIRCLES (1" x 1") INSTALLATION INSTRUCTIONS

GENERAL SPECIFICATIONS

The 1" Shot, Hammer & Discus circles are 1" x 1" x 1/4" aluminum angle rolled to a specified diameter (7'0" for Shot and Hammer and 8' 2-1/2" for Discus) and are intended for a permanent concrete pad installation with a depressed throwing area. Each circle is delivered in either halves or quarters, depending on the shipping method used (halves by motor freight, quarters by U.P.S.). The installation procedures to follow are the same for both.

Two different installation methods will be explained:

- 1) That of leveling the circle with bricks or shimming blocks
- 2) Leveling the circle on a level concrete pad.

Regardless of which installation is used, the outline for a successful installation is as follows:

- * The circle must be securely anchored before concrete is poured.
- * The circle must be held to true size (diameter) during the concrete phase to prevent the circle from creeping out of shape.
- * The concrete pad and the depressed pad should both be level.
- * The top of the circle must be flush and level with the finished concrete pad. (Ground level in most applications)
- * A suitable drainage system should be installed. Consult local building codes for drainage requirements and information.

INSTALLATION

(Pouring a level concrete pad first, to provide a leveling and anchoring surface for the circle.)

1. Dig an area approximately 10'-0" x 10'-0" x 12" deep. **(Consult local building codes for concrete depth and drainage requirements.)**
2. Position and level a wooden concrete form 10'0" square (inside dimensions) - on a base of crushed stone **(Consult local codes for drainage requirements)** so that the top of the wooden form is **1/4" above** ground level. (By keeping the form 1/4" above ground level, the concrete pad will have clean, unrounded edges when the form is removed.) Check all levels.

3. Pour concrete into the wooden form to a level 1-1/4" below the top of the wooden form (1" below actual ground level). Allow the concrete to harden.
4. Position and level the SC/HC/DC-1 circle, centered on the concrete pad. Shim the circle as necessary so that it is level and the top of the circle is even with ground level (1/4" down from top of wooden form). Make sure the diameter is correct (7'0" for Shot and Hammer and 8' 2-1/2" for discus) and measurements from all points of the circle are equal. Once the circle is levelled and trued, anchor the circle to the concrete pad using bolts or anchor pins, or brace the circle with a wooden form as shown in the "Bracing the Circle" drawing (See Dwg. No. AAE-72). **It is important** that the circle be securely anchored and braced in some form or fashion so that when the concrete is poured, the circle will retain its' correct size and shape.
5. Pour a layer of concrete on the inside of the circle to a level that is 3/4" **below** the top of the circle.
6. Pour concrete on the outside of the circle to a level that is flush with the top of the circle (1/4" below top of wooden form).
7. Allow concrete to harden.

ALTERNATIVE CIRCLE INSTALLATION

1. Dig an area approximately 10'0" x 10'0" x 12" deep. (**Consult local building codes for concrete depth and drainage requirements.**)
2. Position and level a wooden concrete form 10'0" square (inside dimensions) on a base of crushed stone (**Consult local codes for drainage requirements**) so that the top of the wooden form is **1/4" above** ground level. (By keeping the form 1/4" above ground level, the concrete pad will have clean, unrounded edges when the form is removed.) Check all levels.
3. Position and level the SC/HC/DC -1 circle, centered in the pit. Use bricks (or some sturdy support) to elevate the circle to a level where the top of the circle is even with ground level (1/4" down from the top of the wooden form.). Level circle as necessary on support blocks. Make sure the diameter is correct (7'0" for Shot and Hammer and 8' 2-1/2" for discus) and measurements from all points of the circle are equal. Once circle is levelled and trued, anchor the circle securely to the ground with anchor pins, long bolts, or tie down wire (not included), on minimum 12" intervals. Check all levels. (See Dwg. No. AAE-13C - "Supporting the Circle, without first pouring a level pad" drawing for ref.)
4. **Note:** If the circle can not be securely anchored into the ground, or if extra stabilization is required, we strongly recommend that the circle be braced with a wooden form as shown in the "Bracing the Circle" drawing, (See Dwg. No. AAE-72) or by some other reliable method. **It is important** that the circle be securely anchored and braced in some form or fashion so that when the concrete is poured, the circle will retain its' correct size and shape.
5. With the circle levelled and anchored, pour the cement in and around the circle to a

level that is **3/4" below** the top of the circle. Continue pouring on the outside of the circle until the concrete is flush with the top of the circle (1/4" below the top of the wooden form).

6. Allow concrete to harden.