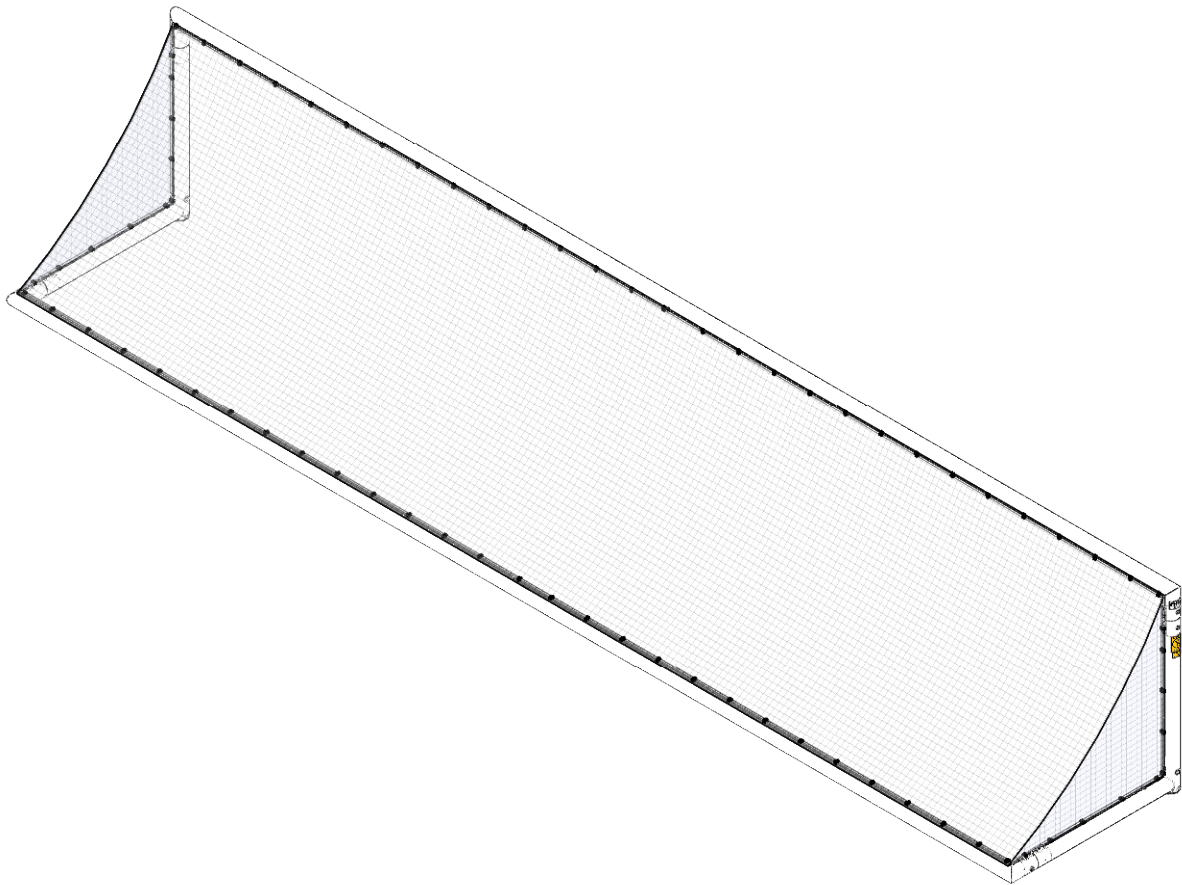
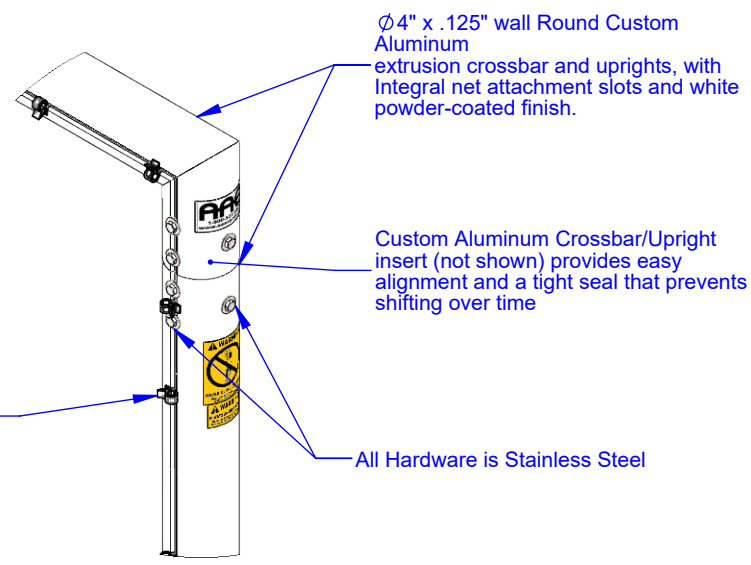
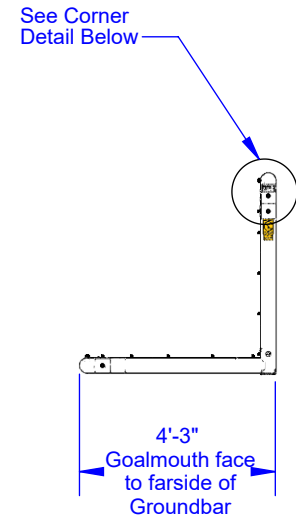
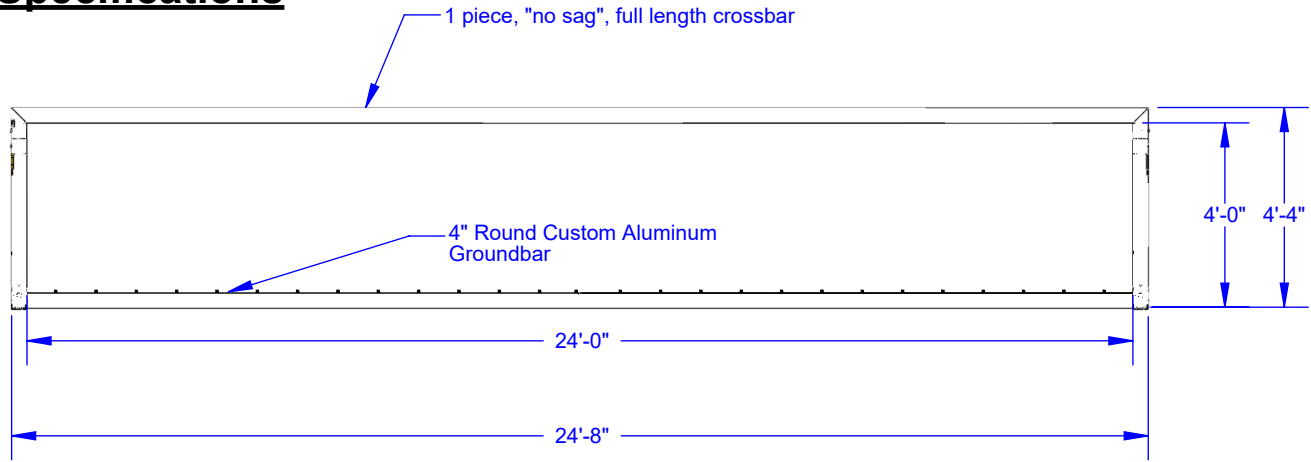


AAE Model No. TSG Training Soccer Goal



Aluminum Athletic Equipment
1000 Enterprise Drive, Royersford, PA 19468
Toll Free: (800) 523-5471 Fax: (610) 825-2378
www.AAEsports.com

TSG Specifications



Heavy Duty Molded Net Clips (MNC) included for quick and easy net attachment.
*Ideal for everyday net removal.

Corner Detail

Additional Features
* All-Aluminum Goal & Stainless Steel Hardware provides years of maintenance free use.

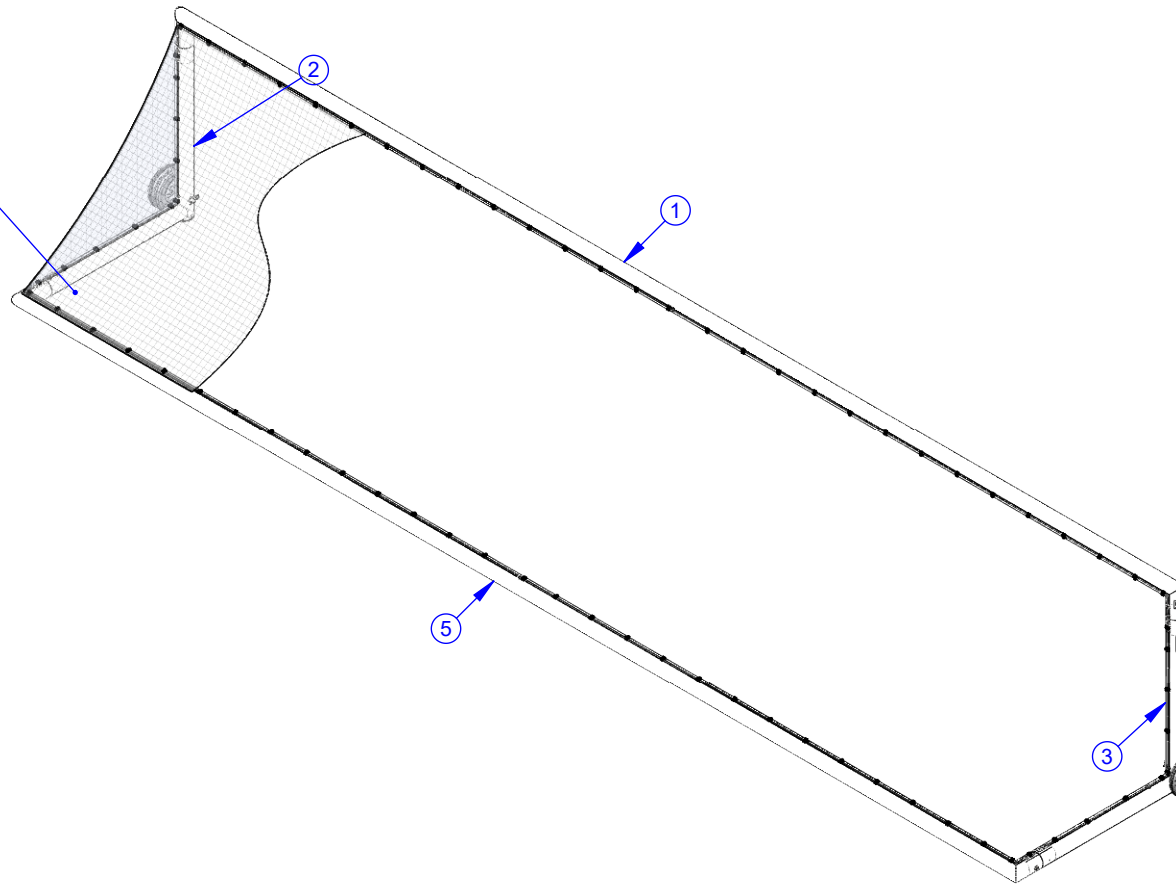


Aluminum Athletic Equipment
1000 Enterprise Drive, Royersford, PA 19468
Toll Free: (800) 523-5471 Fax: (610) 825-2378
www.AAEsports.com

DESCRIPTION:		
TSG - Specifications		
NOTE: Training Soccer Goal		
MODEL:	CATEGORY:	DATE:
TSG	CUSTOMER	6/7/2023
DWN. BY:	CAD FILE:	DWG. NO.:
CED	TSG Specification Packet	TSG-C-001

TSG Goal Assembly & Options Diagram

Optional:
Model No. SN-TSG/24
Soccer Net
High-Visibility white
polyethylene braided
into 5" sq. mesh
- other colors also
available



Optional:
Model No. RW-SG-P
10" Semi-Pneumatic
Tilt-&-Roll Wheels



Aluminum Athletic Equipment
1000 Enterprise Drive, Royersford, PA 19468
Toll Free: (800) 523-5471 Fax: (610) 825-2378
www.AAEsports.com

DESCRIPTION		
TSG Assembly & Options		
NOTE: Goal Assembly w/ Options Diagram		
MODEL:	CATEGORY:	DATE:
TSG	CUSTOMER	6/7/2023
DRAWN BY:	CAD FILE:	DWG. NO.:
CED	TSG Specification Packet	TSG-C-002

TSG Parts List

TSG - TRAINING SOCCER GOAL PARTS LIST

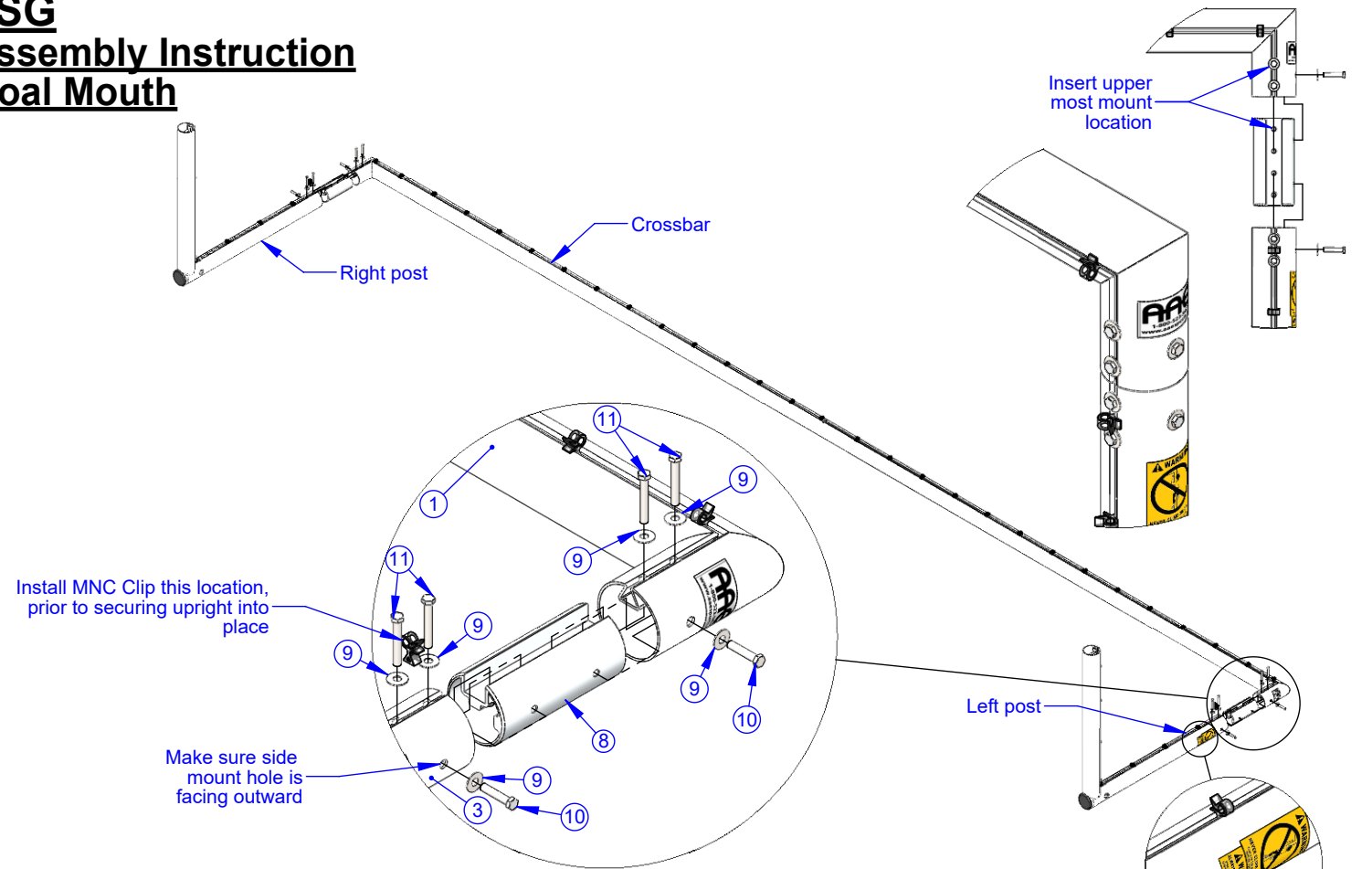
Part List #	Item	Description	Qty.
1	Crossbar	24' Goal Mouth, Int. Crossbar Assembly	1
2	Upright (Right)	SGR Series, Int. Goal Post, Right Side, 52" Lg.	1
3	Upright (Left)	SGR Series, Int. Goal Post, Left Side, 52" Lg.	1
5	Groundbar	SGR Portable International Groundbar, 4" Round	1
6	MNC	Molded Net Clip	70
7	Plastic Cap	1" Dia. Plastic Cap	6
8	Insert	SGR Series, Aluminum, Goal Post Connector	4
9	Washer	3/8" Flat Washer, SS	20
10	Bolt	3/8"-16 x 1-3/4" Hex Bolt, SS	6
11	Bolt	3/8"-16 x 2-1/2" Hex Bolt, SS	16
24	Spacer	3/4" Spacer, Nylon	2
OPTIONAL ACCESSORIES			
28	Net	Soccer Net (3mm - 4' x 24'), Polyethylene Braided, 5" Sq. Mesh	1
*QUANTITIES LISTED ARE PER GOAL ASSEMBLY			



TSG

Assembly Instruction

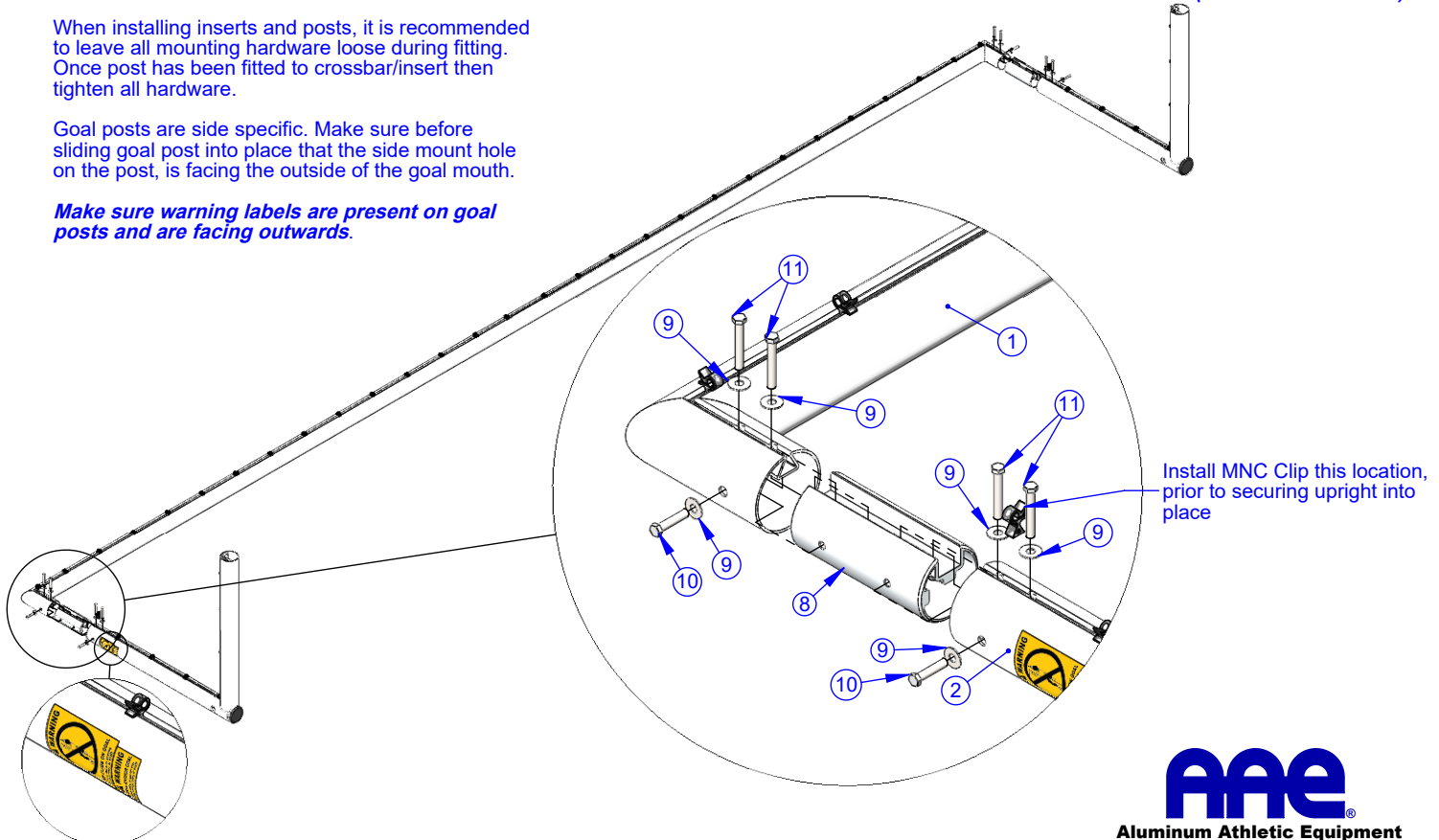
Goal Mouth



Installation Notes:

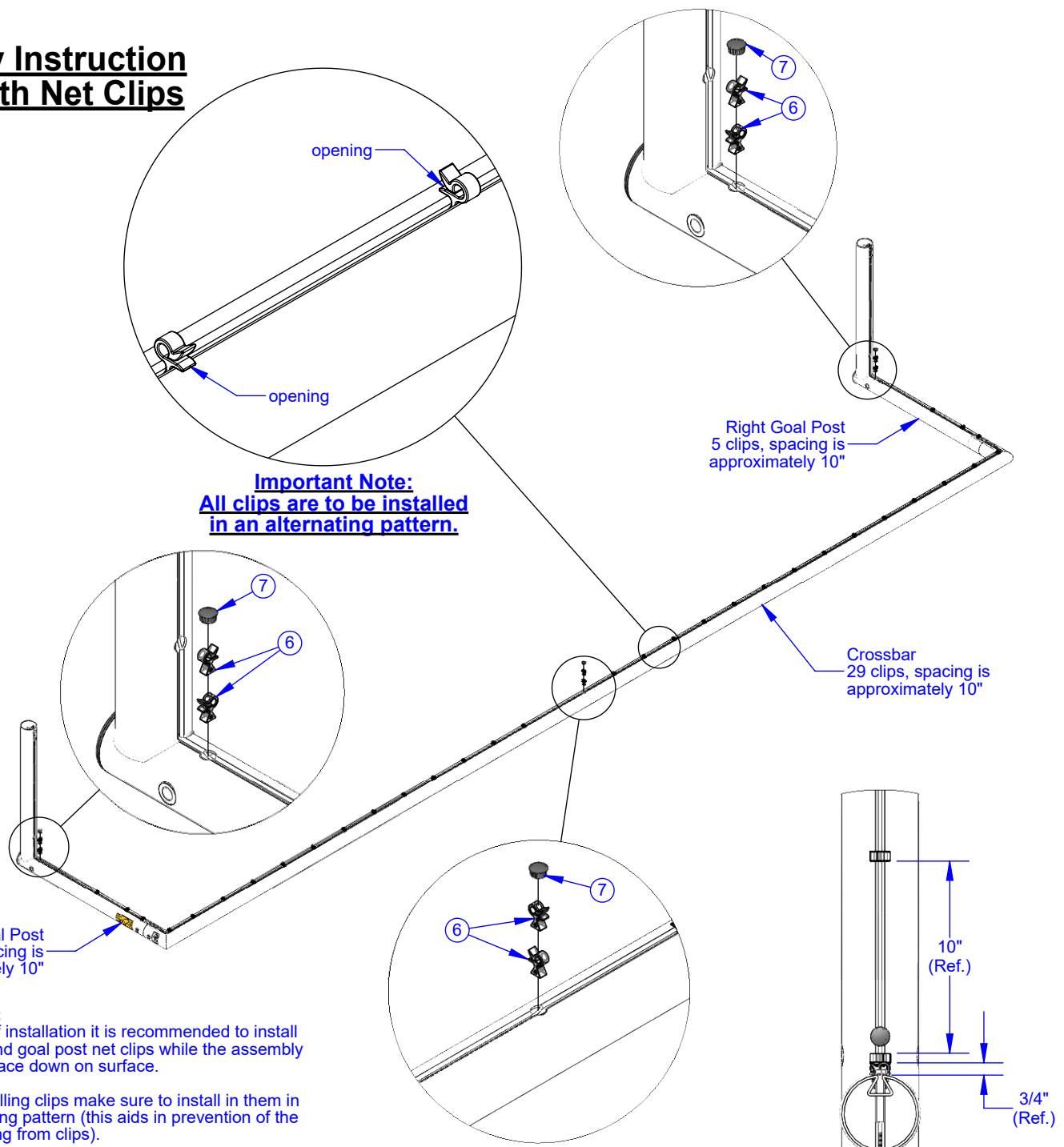
1. For ease of installation it is recommended to lay goal mouth assembly face down (as shown in diagram).
2. When installing inserts and posts, it is recommended to leave all mounting hardware loose during fitting. Once post has been fitted to crossbar/insert then tighten all hardware.
3. Goal posts are side specific. Make sure before sliding goal post into place that the side mount hole on the post, is facing the outside of the goal mouth.
4. **Make sure warning labels are present on goal posts and are facing outwards.**

Warning labels
(labels must face out)



Warning Labels
(labels must face out)

TSG Assembly Instruction Goal Mouth Net Clips



Important Note:
**All clips are to be installed
in an alternating pattern.**

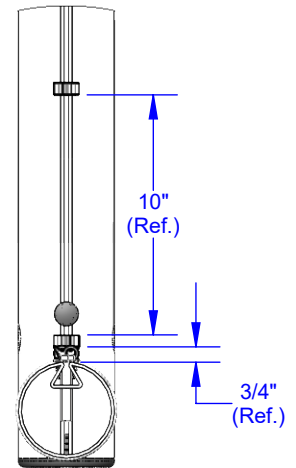
Left Goal Post
5 clips, spacing is
approximately 10"

Right Goal Post
5 clips, spacing is
approximately 10"

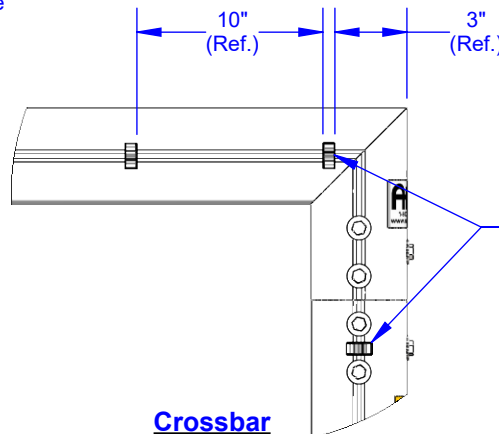
Crossbar
29 clips, spacing is
approximately 10"

Installation Notes:

1. For ease of installation it is recommended to install crossbar and goal post net clips while the assembly is still laid face down on surface.
2. When installing clips make sure to install them in an alternating pattern (this aids in prevention of the net releasing from clips).
3. After all clips have been installed into place, make sure to cover hole in clip channel with the cap provided.



**Goal Post
Net Clip
Reference Dimensions**



**Crossbar
Net Clip
Reference Dimension**

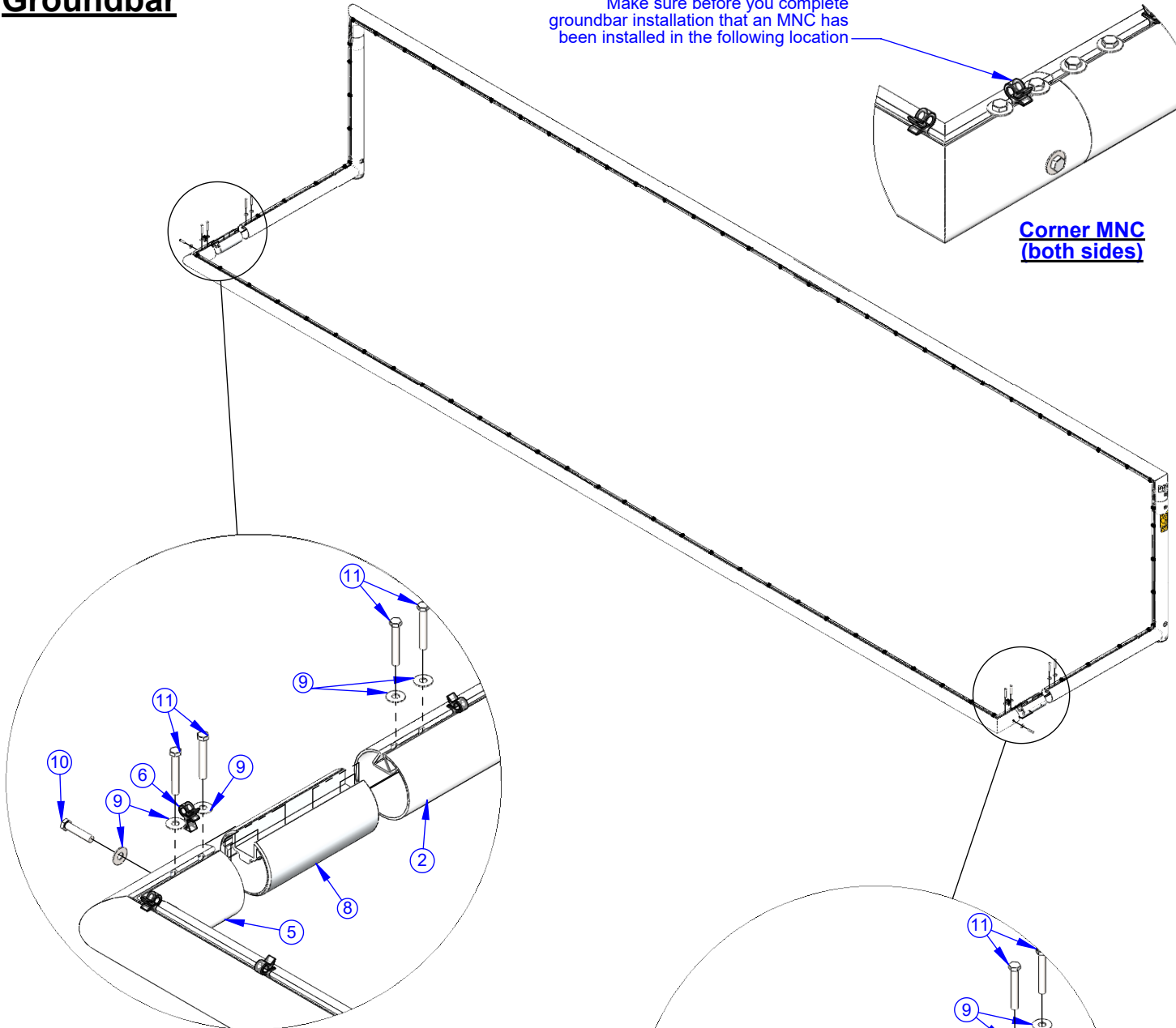
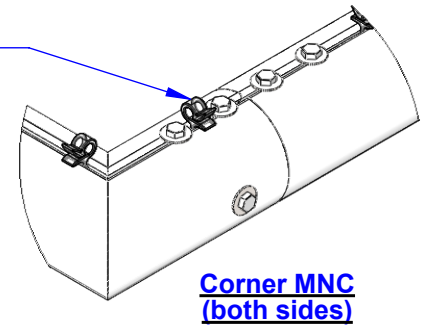
Corner Clips are to be placed as shown. Make sure opposite corner is placed similarly.

TSG

Assembly Instruction

Groundbar

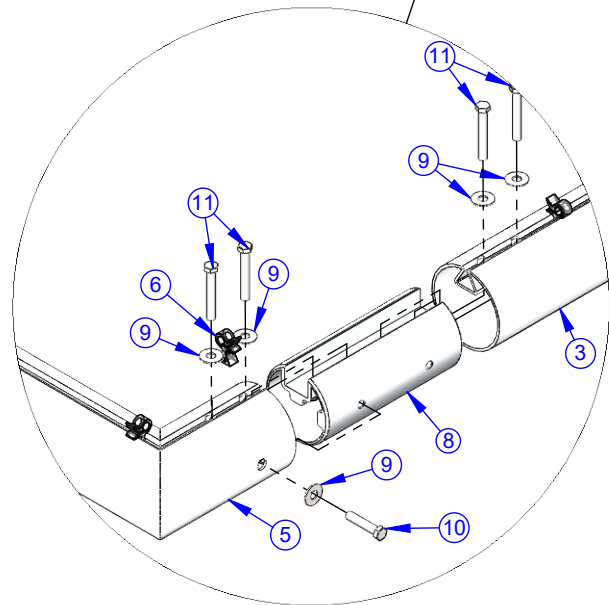
Make sure before you complete groundbar installation that an MNC has been installed in the following location



Groundbar to right stay

Installation Notes:

1. For ease of installation, it is recommended to install Groundbar with the goal assembly in upright position.
2. Make sure that ground bar is orientated so that clip channel is facing upwards prior to installing
3. When installing groundbar, inserts and posts, it is recommended to leave all mounting hardware loose during fitting. Once post has been fitted to groundbar/insert then tighten all hardware.

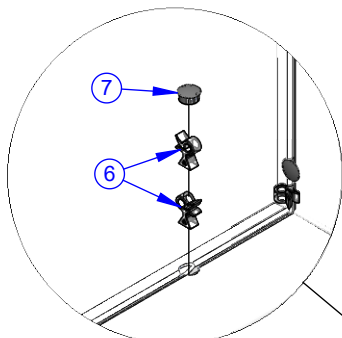


Groundbar to left stay

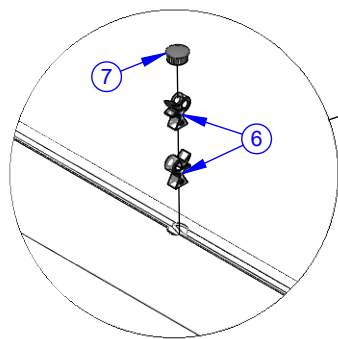
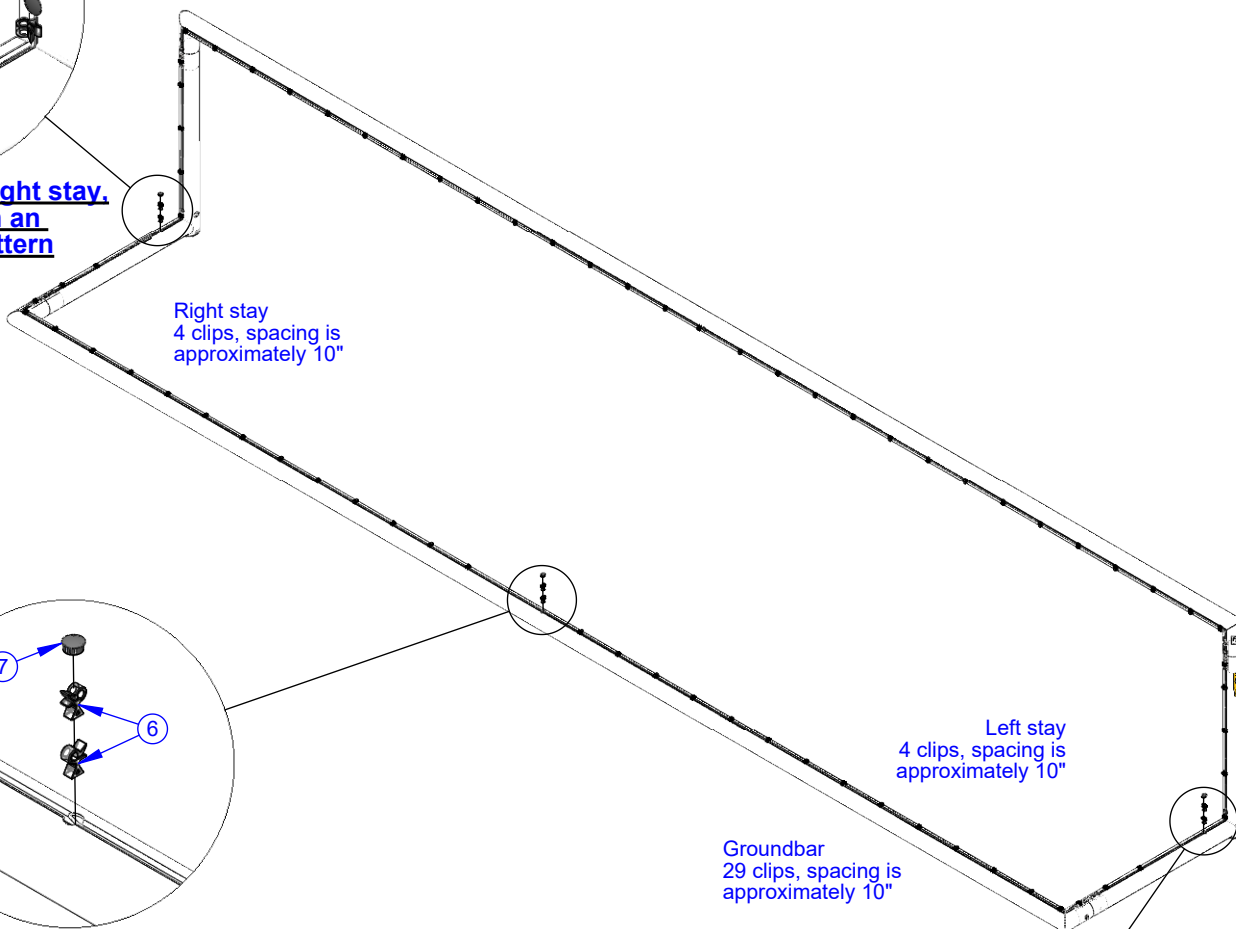


Aluminum Athletic Equipment
 1000 Enterprise Drive, Royersford, PA 19468
 Toll Free: (800) 523-5471 Fax: (610) 825-2378
www.AAEsports.com

TSG Assembly Instruction Groundbar & Stay Net Clips



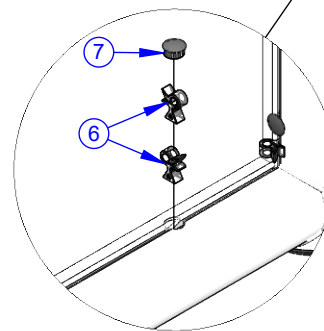
Net clip & cap to right stay.
install clips in an
alternating pattern



Net clip & cap to Ground bar.
install clips in an
alternating pattern

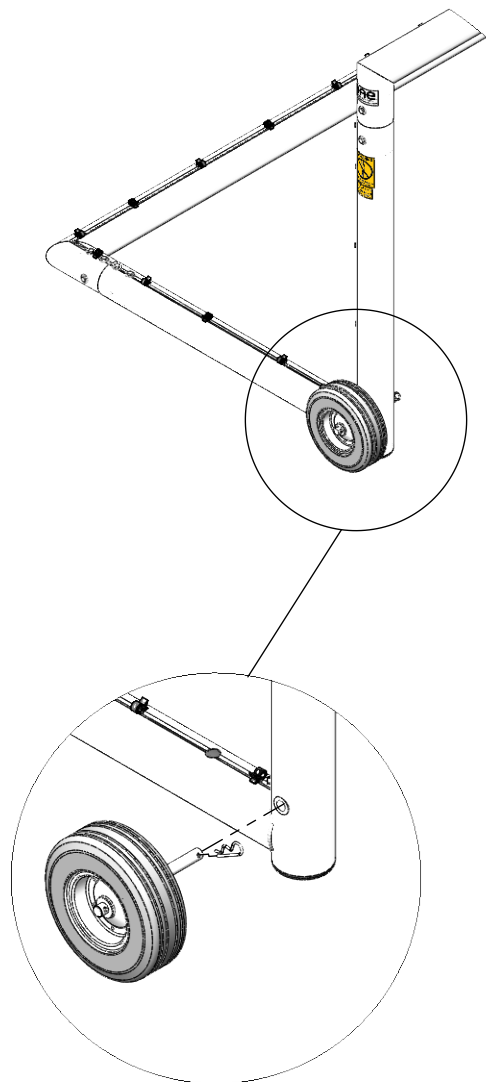
Installation Notes:

1. For ease of installation it is recommended to install the stay and ground bar net clips with the assembly in the upright position.
2. When installing clips make sure to install them in an alternating pattern (this aids in prevention of the net releasing from clips).
3. After all clips have been installed into place, make sure to cover hole in clip channel with the cap provided.
4. Complete goal assembly by securing remainder of the net with stay & groundbar clips.

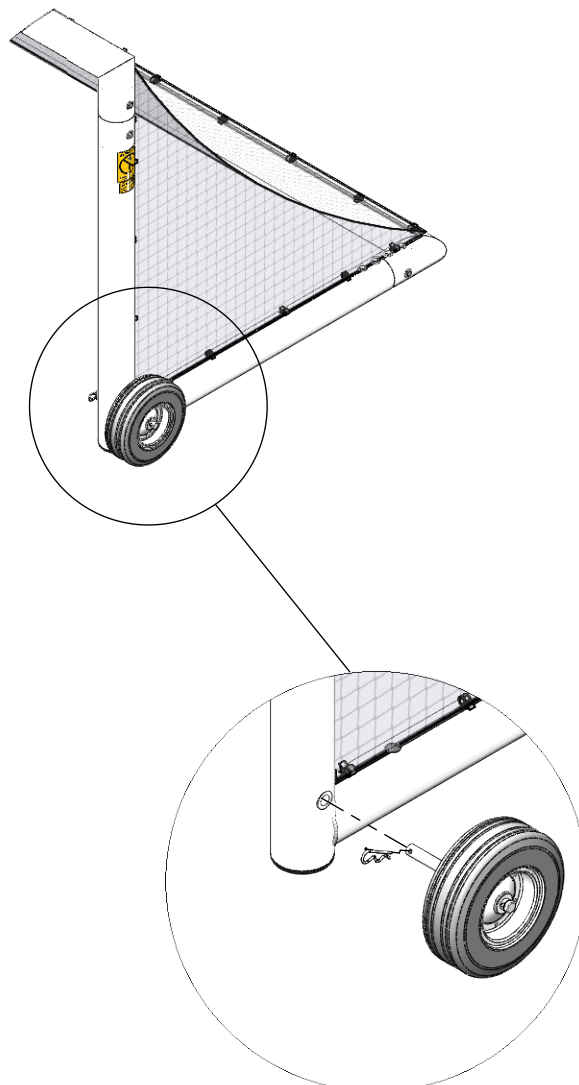


Net clip & cap to left stay.
install clips in an
alternating pattern

TSG Assembly Instruction Wheels



Wheel Assembly
(left side)



Wheel Assembly
(right side)

Installation Notes:

1. Install 10" dia. wheel assembly on each upright through the axle sleeve and secure with cotter pin.
2. With a person at each end tilt the goal forward until wheels engage for movement. Do not stand under goal crossbar.