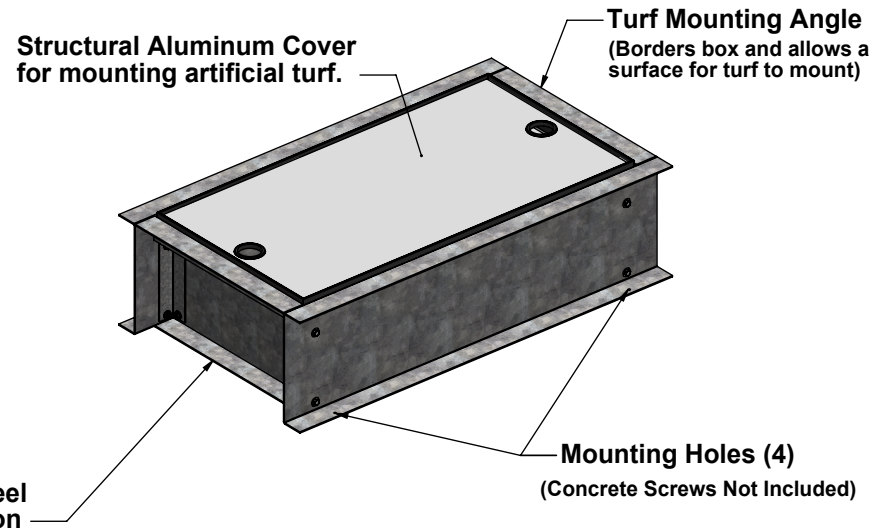
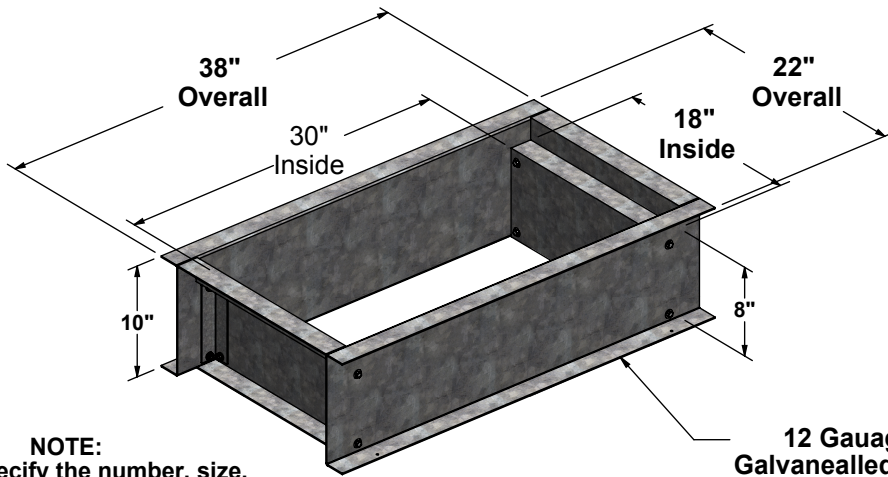


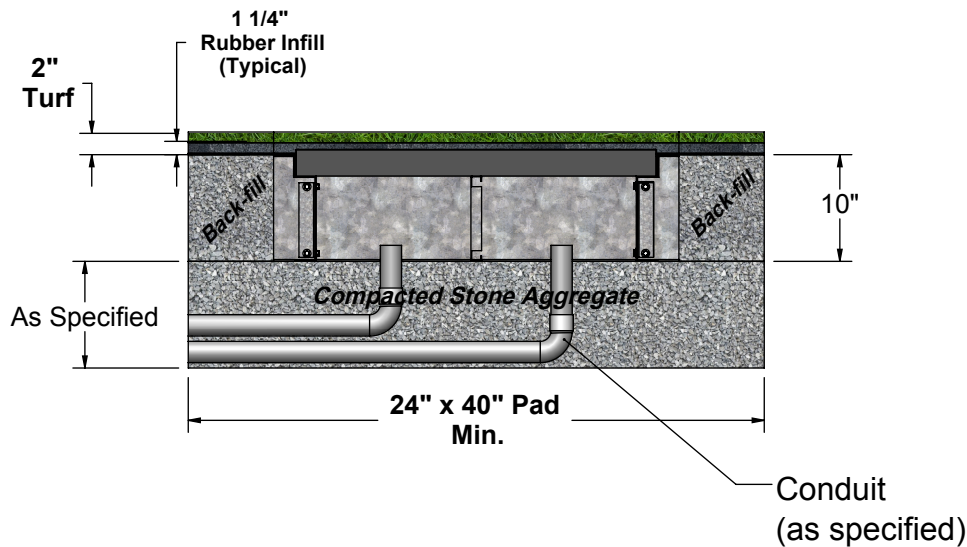
UBC-GA/101830 - Utility Box/Cover - Aluminum

(Nominal 10"D x 18"W x 30"L)

Specifications



NOTE:
*Please specify the number, size, and location of conduit holes to be made in box. If not specified AAE will ship without any holes; they will have to be drilled by contractor.



Weights:

- (1) Box = 50 lbs./ea.
- (1) Full Cover = 10 lbs./ea.

Overall Weight = 60 lbs.



Aluminum Athletic Equipment
1000 Enterprise Drive, Royersford, PA 19468
Toll Free: (800) 523-5471 Fax: (610) 825-2378
www.aaesports.com

DESCRIPTION		
UBC-GA/101830 - Utility Box/Cover - Aluminum		
NOTE:		
MODEL:	CATEGORY:	DATE:
UBC-GA/101830	CUSTOMER	11/3/03
DWN. BY:	CAD FILE:	DWG. NO.:
TAD	UBC-GA/101830 - Specifications	UBC-GA/101830-C-001

***Please consult local building codes.**