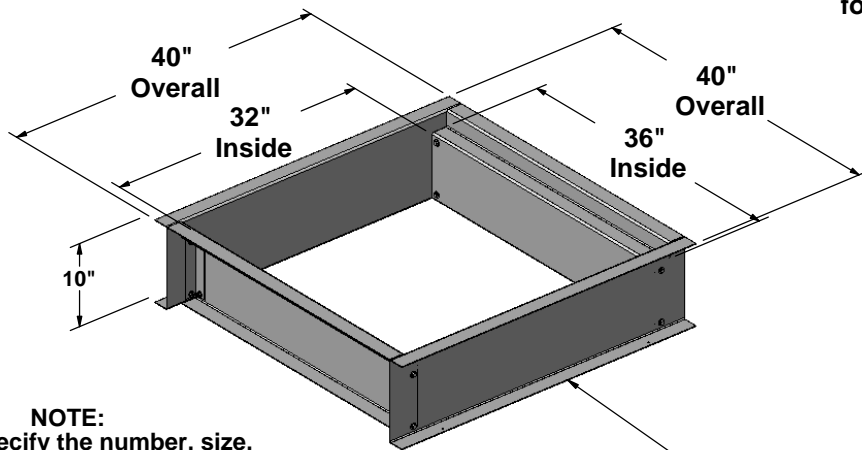


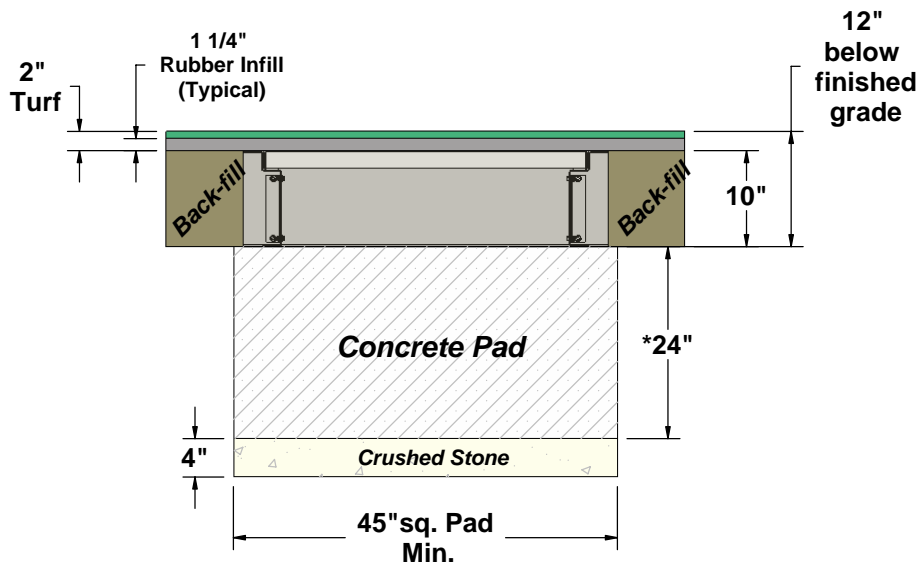
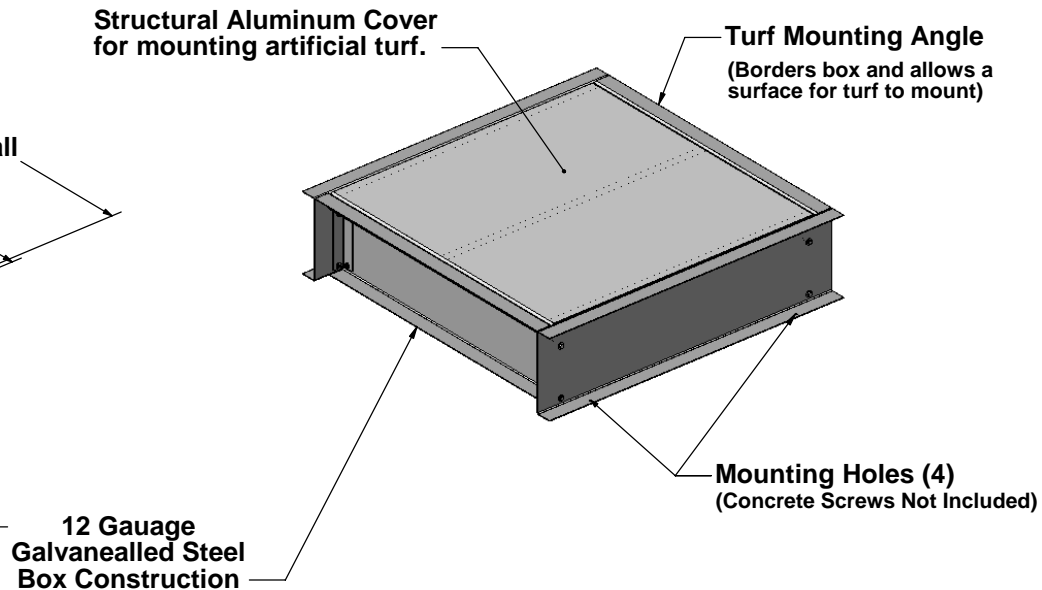
UBC-GA/103636 - Utility Box/Cover - Aluminum

(Nominal 10"D x 36"W x 36"L)

Specifications



NOTE:
 *Please specify the number, size, and location of conduit holes to be made in box. If not specified AAE will ship without any holes; they will have to be drilled by contractor.



Weights:

- (1) Box = 65 lbs./ea.
- (1) Full Cover = 25 lbs./ea.

Overall Weight = 90 lbs.



Aluminum Athletic Equipment
 1000 Enterprise Drive, Royersford, PA 19468
 Toll Free: (800) 523-5471 Phone: (610) 825-6565
www.aaesports.com

DESCRIPTION		
UBC-GA/103636 - Utility Box/Cover - Aluminum		
NOTE:		
MODEL:	CATEGORY:	DATE:
UBC-GA/103636	CUSTOMER	11/3/03
DWN. BY:	CAD FILE:	DWG. NO.
TAD	UBC-GA/103636 - Specifications	UBC-GA/103636-C-001

***Please consult local building codes.**