

# UST-7.5/P-CT-V2 - Portable Unibody Scorer's Table with Canopy Top Specifications

D

C

B

A

Welded aluminum canopy top

Adjustable Bench

Slides forward and back for easy entry and exit without compromising the usability of the table. Seats up to 5 people.

Scorer's Table 18" deep

Designed to accommodate writing pads, laptops, and other officiating equipment

16" Banner Height

**DUKE**

68" Banner Length

Welded Aluminum Frame  
Provides strong, durable support for the table and bench

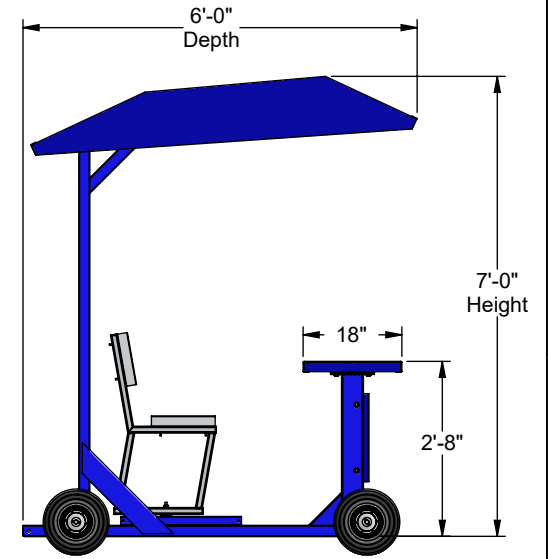
7'-6" Long Bench/Scorer's Table

Optional: Model No. UST-7.5-PC Powder Coating for Table Top, Canopy and Frame

To store wheels when not in use

Optional: Model No. RW-UST Removable Wheels (Set of 2)

Optional: Model No. UST-7.5-FB Includes Front Banner with one color silkscreen

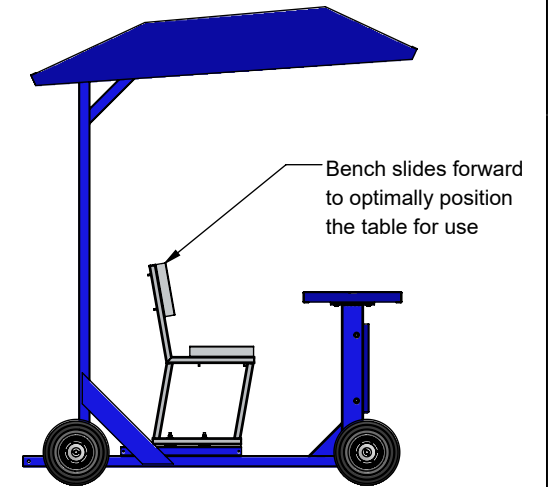


D

C

B

A



**AAE**

**Aluminum Athletic Equipment**  
1000 Enterprise Drive, Royersford, PA 19468  
Toll Free: (800) 523-5471 Fax: (610) 825-2378  
www.aaesports.com

DESCRIPTION:		
<b>UST-7.5/P-CT-V2 - Portable Unibody Scorer's Table w/ Covered Top</b>		
NOTE: Specifications and Features		
MODEL:	CATEGORY:	DATE:
UST-7.5/P-CT-V2	<b>CUSTOMER</b>	1/8/2021
DWN. BY:	CAD FILE:	DWG. NO.:
CED	UST/P-CT-V2 Specifications	UST-7.5/P-CT-V2-C-001