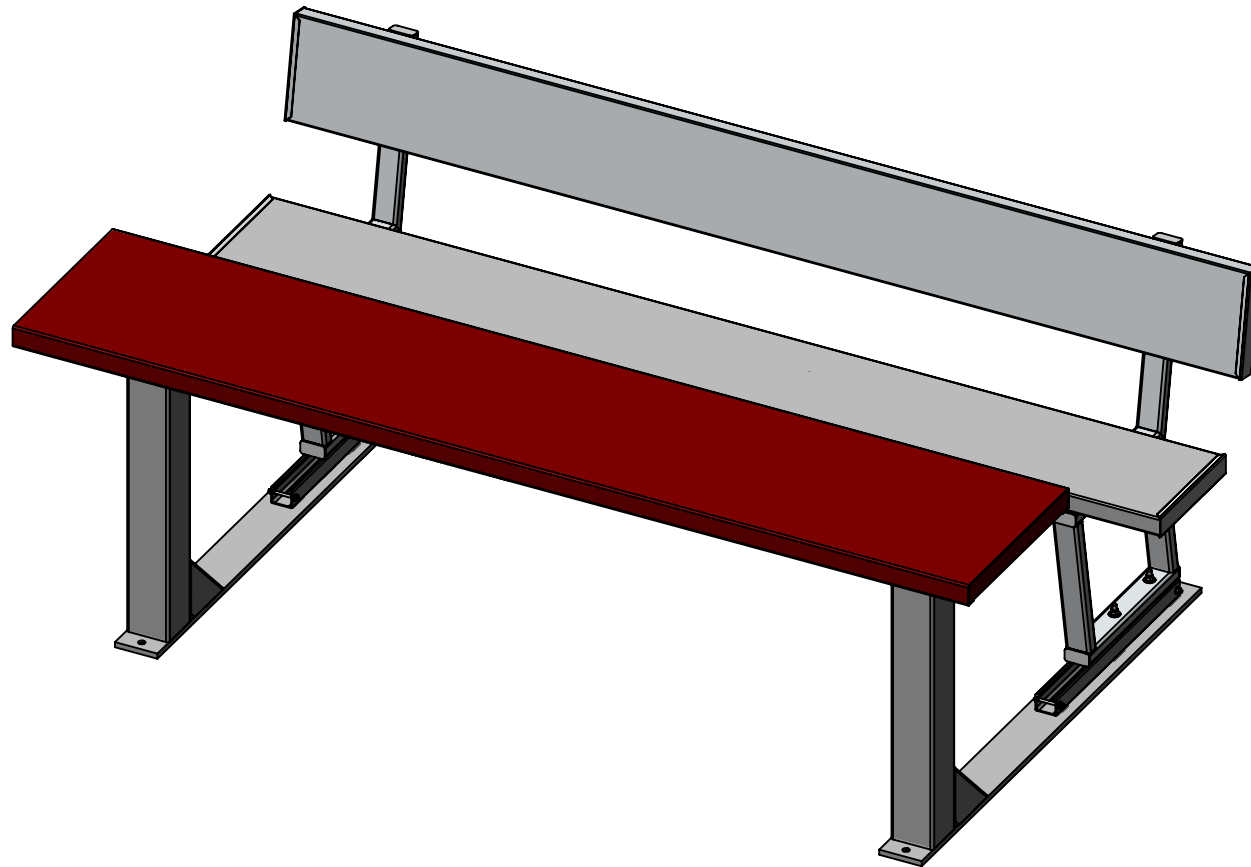
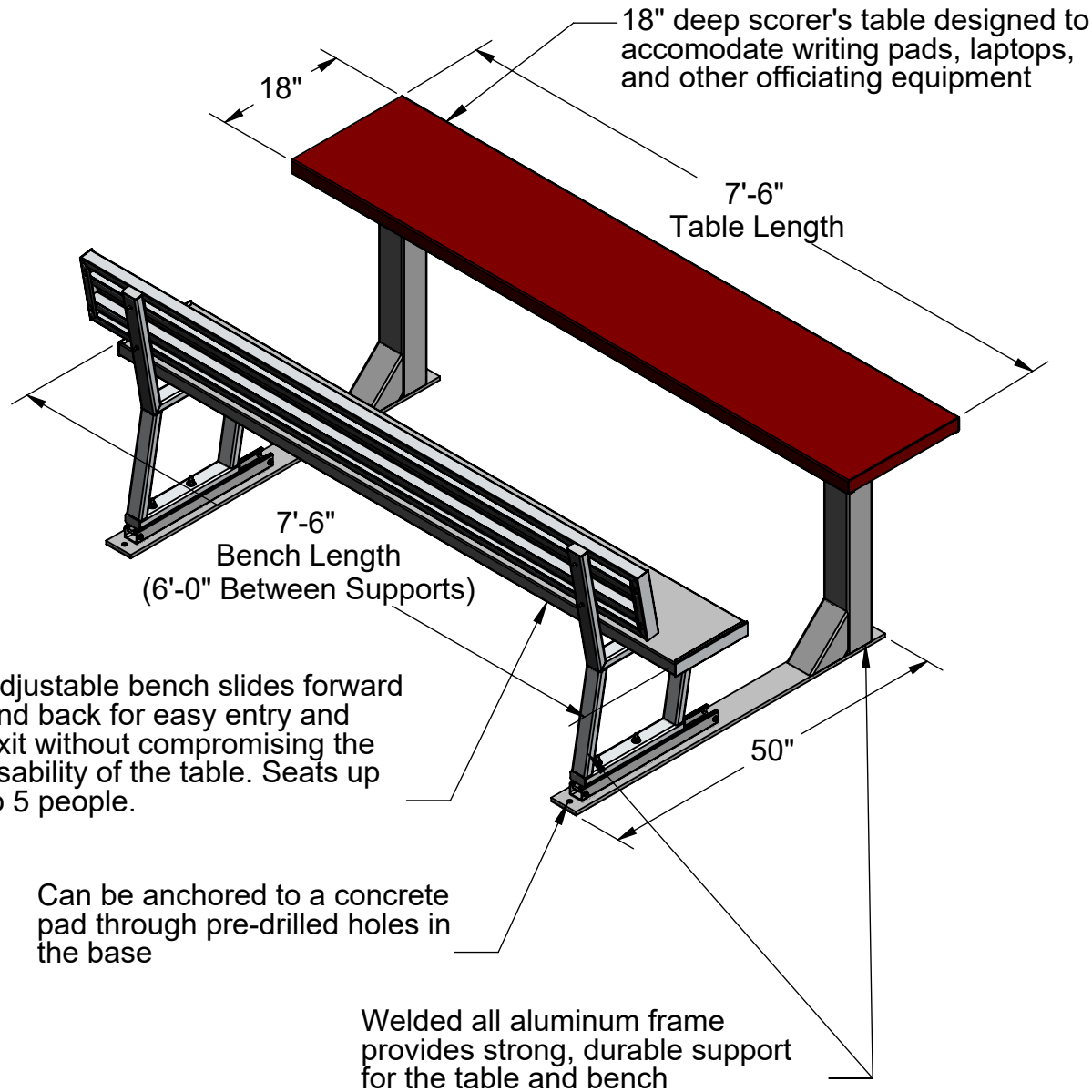


**AAE Model No. UST-7.5/SP**  
**Semi-Permanent Unibody 7'6" Scorer's Table**



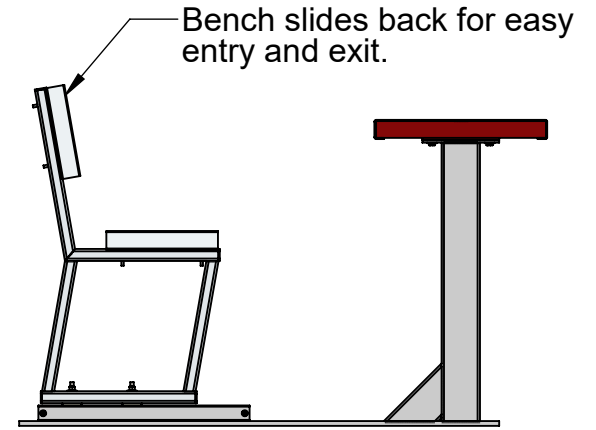
**Aluminum Athletic Equipment**  
1000 Enterprise Drive, Royersford, PA 19468  
Toll Free: (800) 523-5471 Fax: (610) 825-2378  
[www.AAEsports.com](http://www.AAEsports.com)

# UST-7.5/SP - Unibody Scorer's Table Specifications

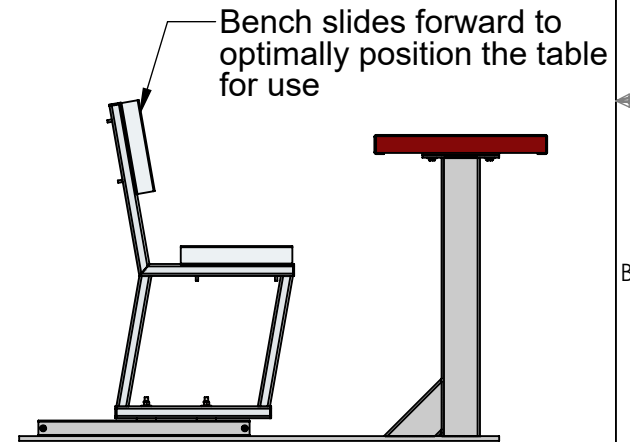


\*All Stainless Steel Hardware\*

## Bench in Back Position



## Bench in Forward Position



**Aluminum Athletic Equipment**  
 1000 Enterprise Drive, Royersford, PA 19468  
 Toll Free: (800) 523-5471 Fax: (610) 825-2378  
[www.AAEsports.com](http://www.AAEsports.com)

DESCRIPTION:		
<b>UST-7.5/SP - Unibody Scorer's Table</b>		
NOTE: Adjustable bench seats up to 5 people		
MODEL:	CATEGORY:	DATE:
UST-7.5/SP	<b>CUSTOMER</b>	08/30/11
DWN. BY:	CAD FILE:	DWG. NO.:
ARP	UST Specifications	UST-7.5/SP-C-001