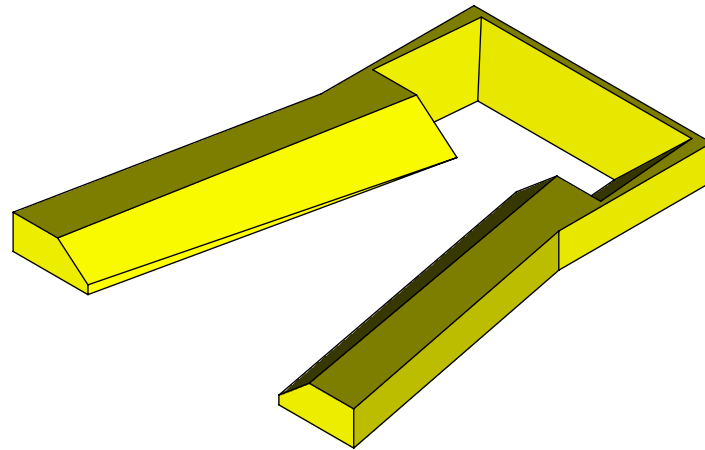


Model No. VBC-S
Standard Vault Box Collar
ASTM-F2949-18

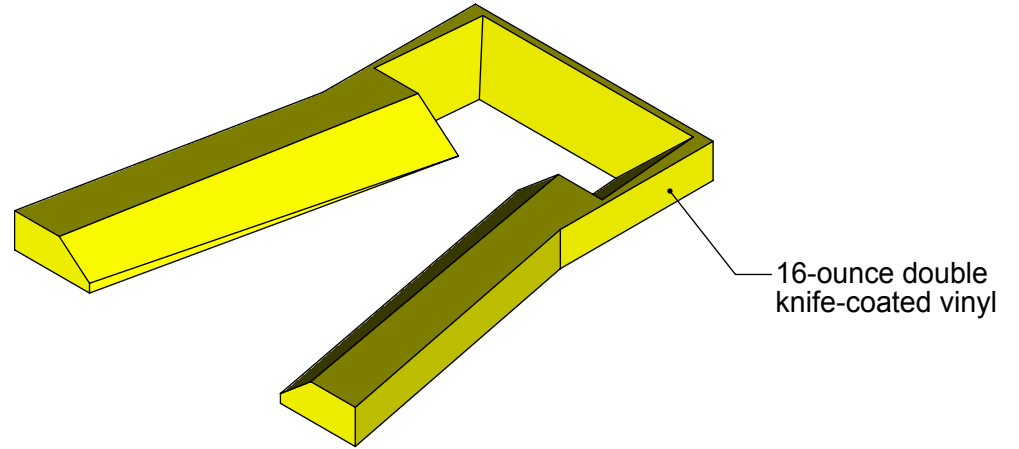
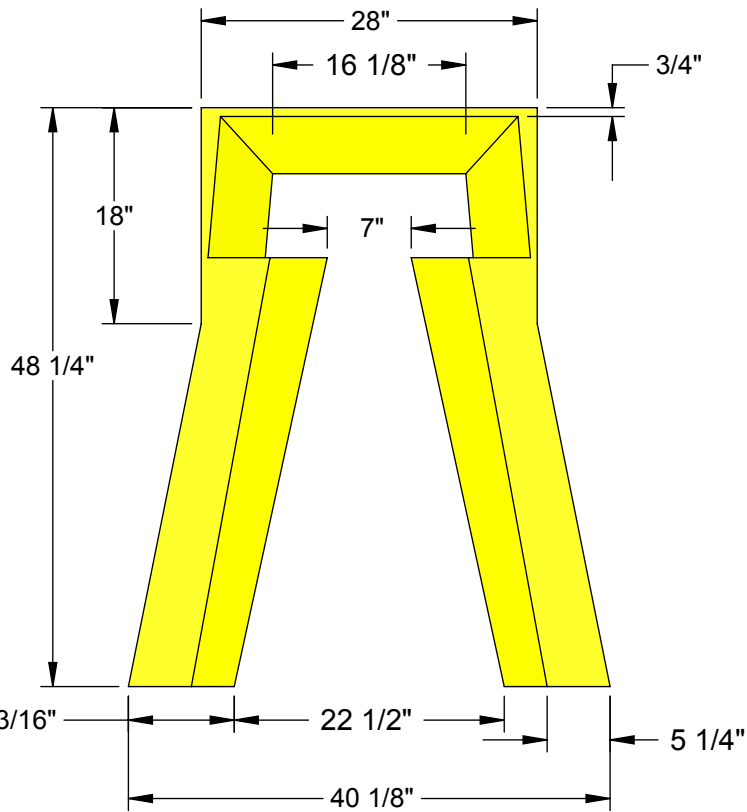
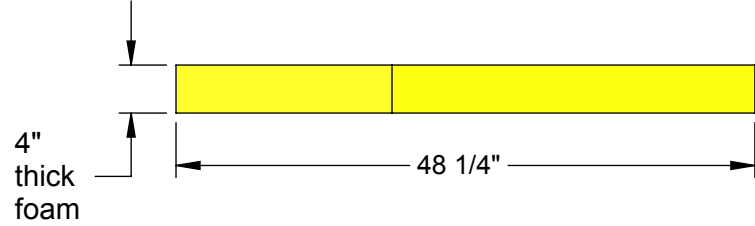
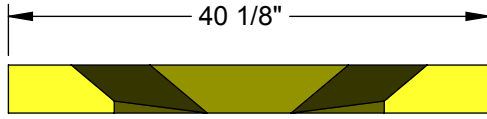


Aluminum Athletic Equipment
1000 Enterprise Drive, Royersford, PA 19468
Toll Free: (800) 523-5471 Fax: (610) 825-2378
www.AAEsports.com

VBC-S - Vault Box Collar (Standard)

Specifications

ASTM-F2949-18



Aluminum Athletic Equipment
 1000 Enterprise Drive, Royersford, PA 19468
 Toll Free: (800) 523-5471 Fax: (610) 825-2378
www.AAEsports.com

DESCRIPTION:		
Standard Vault Box Collar - Specifications		
NOTE: Conforms to ASTM F2949-18 Ruling		
MODEL:	CATEGORY:	DATE:
VBC-S-F2949-18	CUSTOMER	1/3/2019
DWN. BY:	CAD FILE:	DWG. NO.:
CED	VBC-S-F2949-18 - Specifications	VBC-S-F2949-18-C-001